

DESCRIPTION

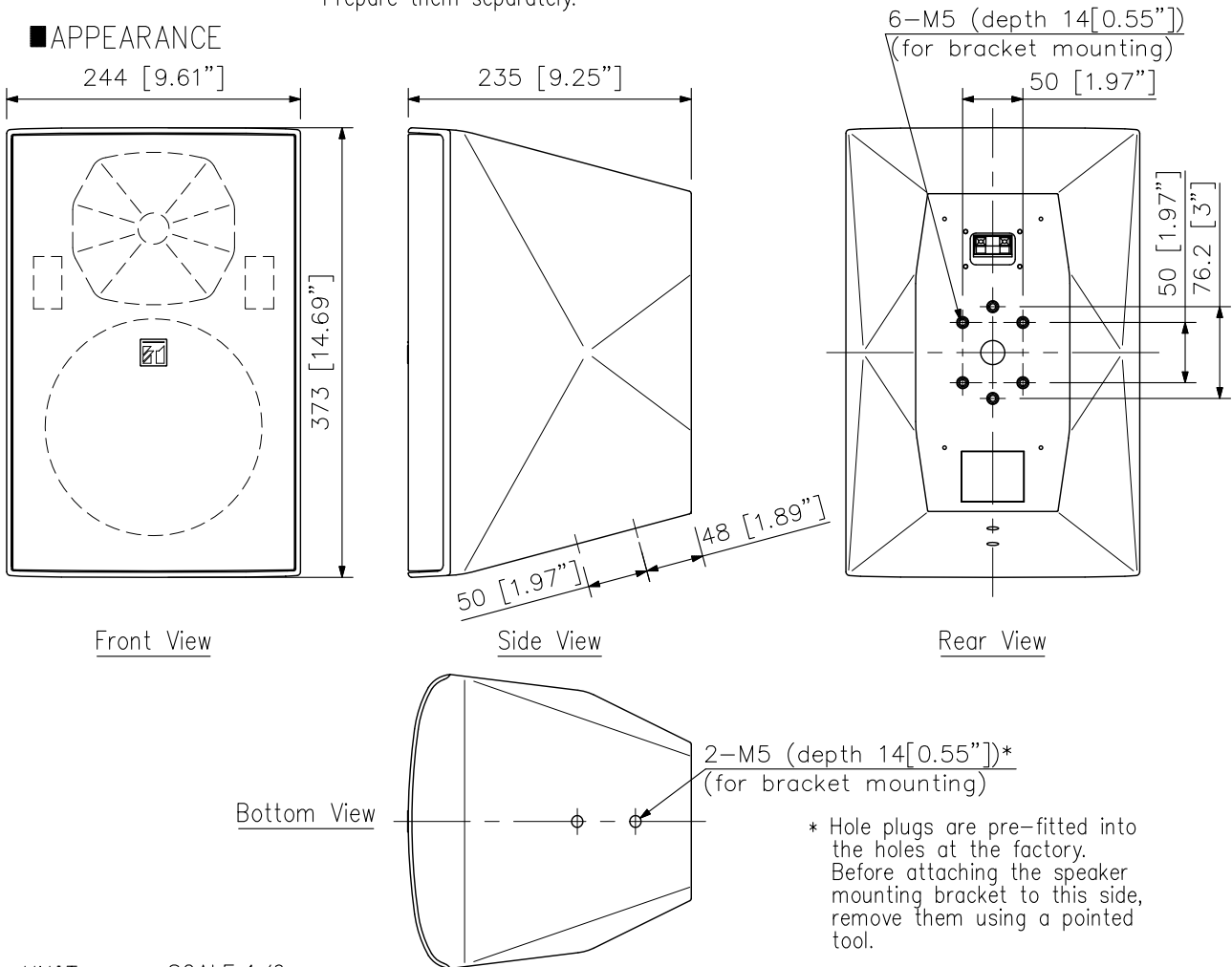
The F-2000 Series Speaker are compact two-way speaker systems designed for high efficiency, wide range, and high power input handling capability. These speaker systems can be installed in a manner ideal for the location and intended application.

SPECIFICATIONS

Enclosure	Bass-reflex type
Power Handling Capacity	Continuous pink noise: 60 W Continuous program: 180 W
Rated Impedance	8 Ω
Sensitivity	92 dB (1 W, 1 m) at installation in 1/2 free sound field 93 dB (1 W, 1 m) at installation in 1/2 free sound field (with horn adapter)
Frequency Response	65 - 20,000 Hz, -10 dB at installation in 1/2 free sound field
Crossover Frequency	2.5 kHz
Directivity Angle	Horizontal: 110°, Vertical: 100° Horizontal: 80°, Vertical: 80° (with horn adapter)
Speaker Component	Low frequency: 20 cm (8") cone-type High frequency: 25 mm (1") dome tweeter
Input Terminal	Push-in terminal
Finish	Enclosure: HIPS, black Punched net: Surface-treated steel plate, black, paint Joint bracket, wall bracket: Steel plate, t2.0, black, paint Speaker bracket: Die-cast aluminum, black, paint
Dimensions	244 (W) × 373 (H) × 235 (D) mm (9.61" × 14.69" × 9.25")
Weight	6.5 kg (14.33 lb) (including the supplied brackets)
Accessory	Speaker bracket ...1, Joint bracket ...1, Wall bracket ...1, Bracket fixing screw ... 1 set, Horn adapter ...1, Horn adapter mounting screw ...4
Option	Ceiling mount bracket: HY-CM20B (used for the horizontal speaker mounting) Cluster bracket: HY-CL20B Speaker stand: ST-16A

Note: Bolts and nuts for mounting the bracket to the wall or ceiling are not included. Prepare them separately.

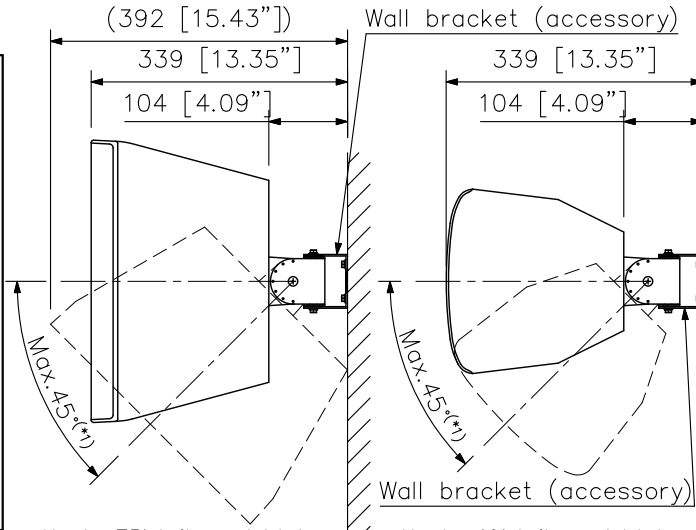
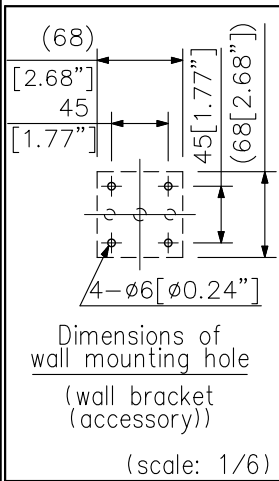
APPEARANCE



* Hole plugs are pre-fitted into the holes at the factory. Before attaching the speaker mounting bracket to this side, remove them using a pointed tool.

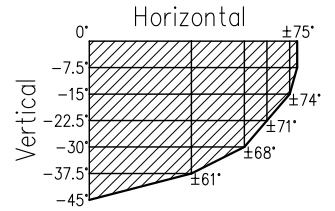
UNIT:mm SCALE:1/6

■ APPEARANCE

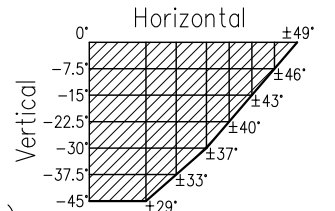


(*1) The speaker vertical angle adjustable in 7.5° steps.

(*2) Adjustable angle (vertical speaker mounting)



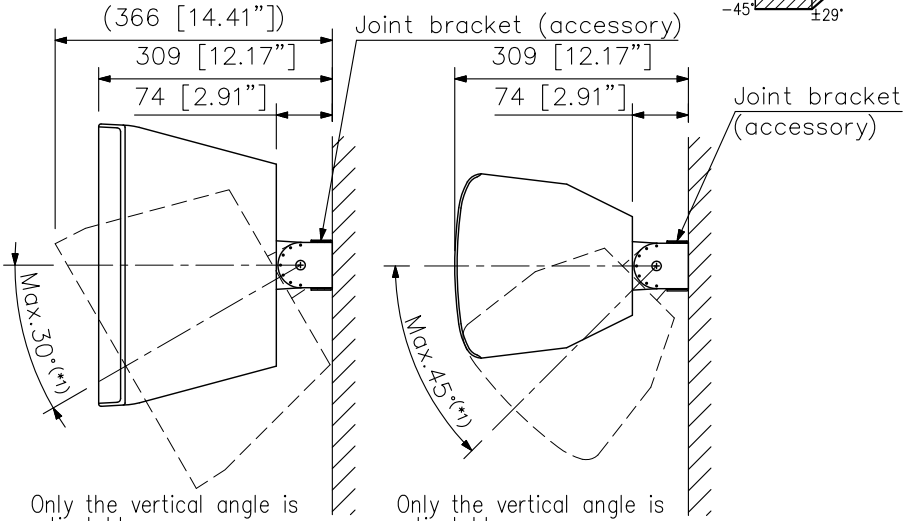
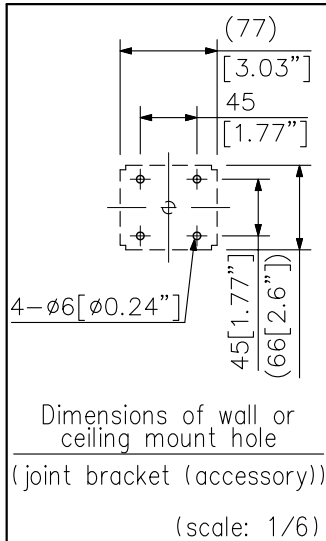
(*3) Adjustable angle (horizontal speaker mounting)



Up to 75° left or right is adjustable in a horizontal direction. (*2)

Up to 49° left or right is adjustable in a horizontal direction. (*3)

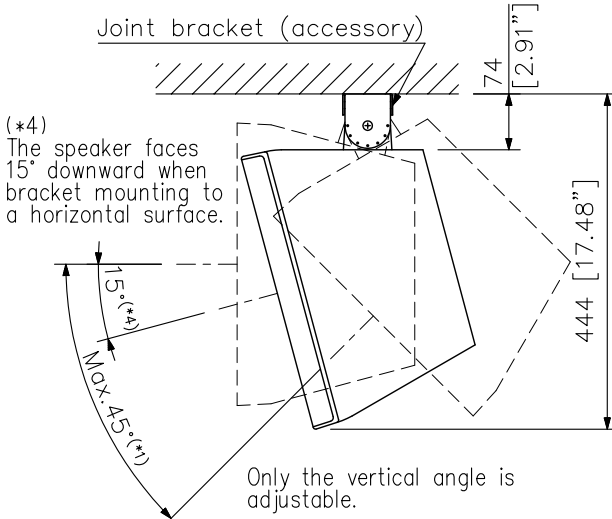
Wall mounting example



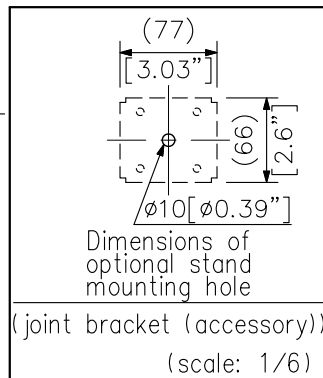
Only the vertical angle is adjustable.

Only the vertical angle is adjustable.

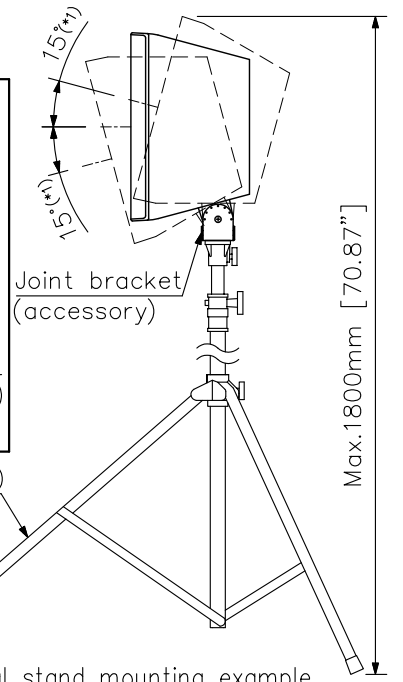
Mounting the speaker close to a wall surface



Ceiling mount example
(Only the vertical speaker mounting is allowed.)



ST-16A (option)



Optional stand mounting example
(Only the vertical speaker mounting is allowed.)
(scale: 1/15)

UNIT: mm SCALE: 1/10