

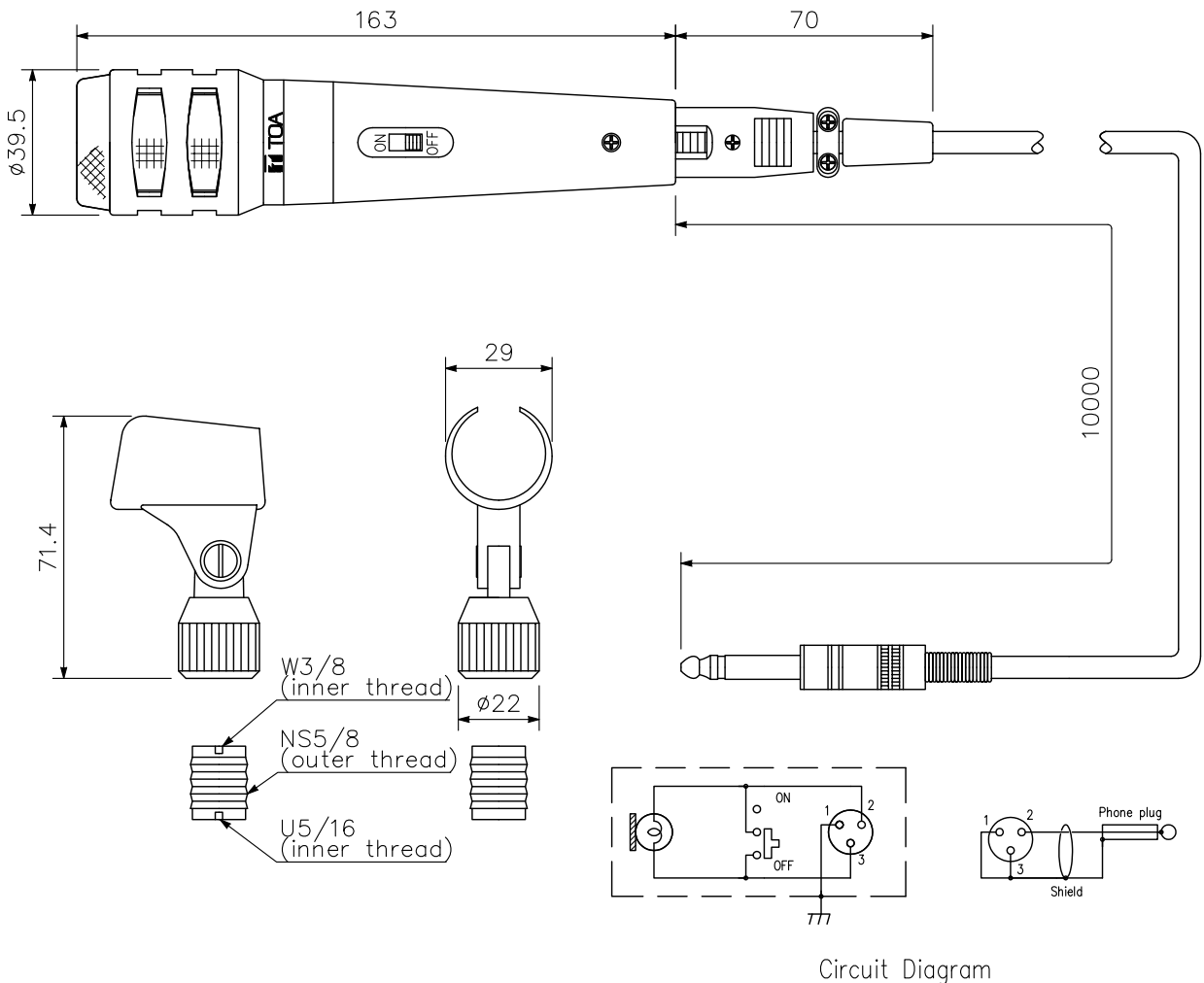
DESCRIPTION

The DM-1200 microphone is designed for speech applications and features high intelligibility.

SPECIFICATIONS

| | |
|--------------------|---|
| Type | Moving coil microphone |
| Directivity | Unidirectional |
| Rated Impedance | 600 Ω, balanced |
| Rated Sensitivity | -52 dB (1 kHz 0 dB=1 V/Pa) |
| Frequency Response | 50 Hz - 12 kHz |
| Connection Cable | Single-core shielded cable, unbalanced |
| Cable Length | 10 m |
| Terminal of Cable | Phone plug |
| Talk Switch | Short-off, slide switch |
| Finish | Body: Die-cast zinc, metallic gray Head: Die-cast aluminum/zinc-plated steel wire, metallic gray |
| Dimensions | ∅39.5 X 163 mm (microphone body) |
| Weight | 265 g (without connection cable) |
| Accessory | Microphone holder (U5/16, NS5/8, W3/8)---1 |

APPEARANCE



UNIT:mm SCALE:1/2