

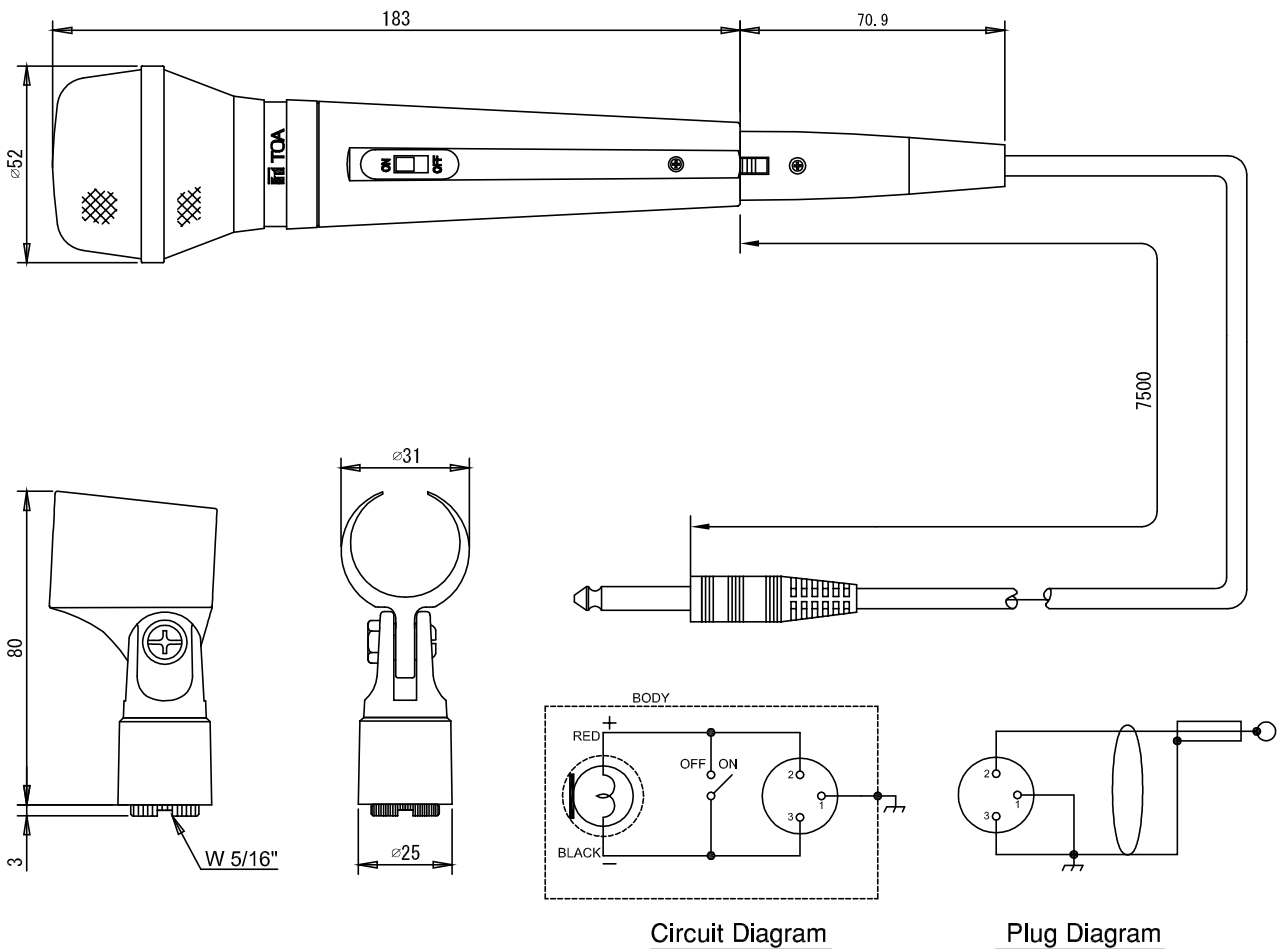
■ DESCRIPTION

The DM-320 AS is a moving coil type microphone featuring high intelligibility suitable for vocal application

■ SPECIFICATION

Type	Moving coil microphone
Directivity	Unidirectional
Rated Impedance	600 ohms, balanced
Rated Sensitivity	-55 dB (1kHz, 0dB = 1 V/Pa)
Frequency Response	100 Hz - 12 kHz
Connection Cable	Separate type
Cable length	7.5 m
Connector	XLR-3 type
Talk Switch	Short-off, slide switch
Finish	Body : Die-cast aluminium, dark grey Head : Die-cast aluminum/zinc-plated steel wire, dark grey
Dimensions	∅52 X 183 mm (microphone body)
Weight	300 g (without connection cable)
Accessories	Microphone holder (W 5/16" 18 thread)

■ APPEARANCE



UNIT: mm SCALE: 1/2