

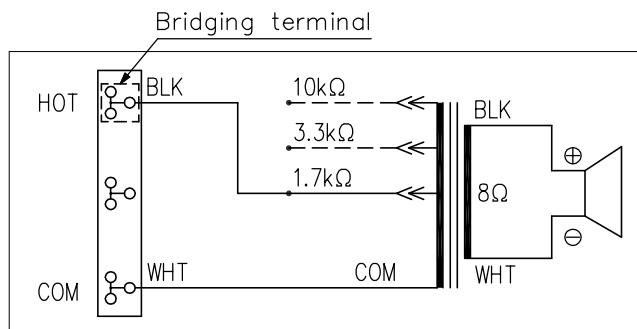
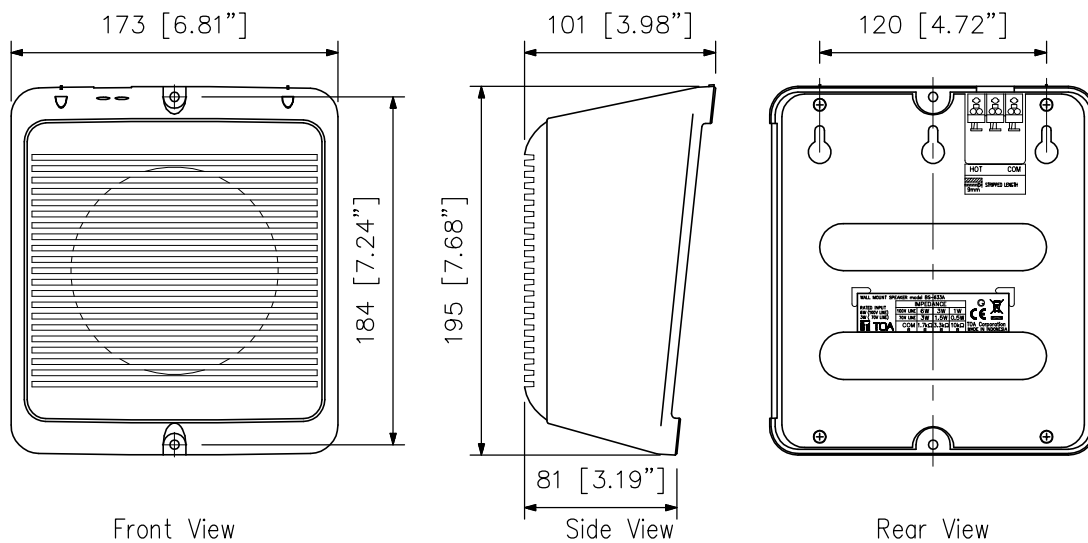
## DESCRIPTION

The BS-633A is wall mount speaker made of ABS resin and can be hooked or mounted directly on the wall. The push-in type input terminal makes cable connections easy and allows bridge wiring. The input impedance can be easily changed by changing the tap position of the transformer from the rear side of the speaker.

## SPECIFICATIONS

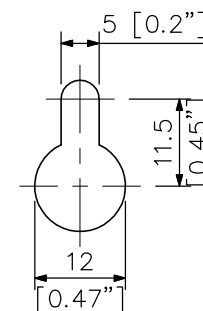
|                          |   |
|--------------------------|---|
| Rated Input              | 6 W (100 V line), 3 W (70 V line)   |
| Rated Impedance          | 100 V line: 1.7 k $\Omega$ (6 W), 3.3 k $\Omega$ (3 W), 10 k $\Omega$ (1 W)<br>70 V line: 1.7 k $\Omega$ (3 W), 3.3 k $\Omega$ (1.5 W), 10 k $\Omega$ (0.5 W)   |
| Sensitivity              | 91 dB (1 W, 1 m)  |
| Frequency Response       | 120 - 15,000 Hz (-20 dB)  |
| Speaker Component        | 12 cm (5") cone-type  |
| Applicable Cable         | 600 V vinyl-insulated cable (1V wire or HIV wire)<br>Solid copper wire: $\phi$ 0.8 - $\phi$ 1.6 mm (equivalent to AWG 20 - 14)<br>7-core twisted copper wire: 0.75 - 1.25 mm <sup>2</sup> (equivalent to AWG 18 - 16) |
| Connection               | Push-in connector (bridging terminal)   |
| Operating Temperature    | -10°C to +50°C (14°F to 122°F)  |
| Finish                   | Case: ABS resin, off-white<br>Rear board: Hard board  |
| Dimensions               | 173 (W) x 195 (H) x 101 (D) mm (6.81" x 7.68" x 3.98")  |
| Wall Mounting Dimensions | Case front mount: 184 mm (7.24")<br>Fixing hole mount: 120 mm (4.72")   |
| Weight                   | 780 g (1.72 lb)   |
| Accessory                | Speaker mounting screw (4 x 35 (0.16" x 1.38")) ... 2,<br>Speaker mounting screw (4 x 16 (0.16" x 0.63")) ... 2   |

## APPEARANCE



(Transformer connection when the speaker is supplied from the factory)

(Note) Use transformer terminals when changing input impedance.



Fixing Hole  
(scale: 1/1)

UNIT:mm SCALE:1/4