

## ■ SPECIFICATIONS

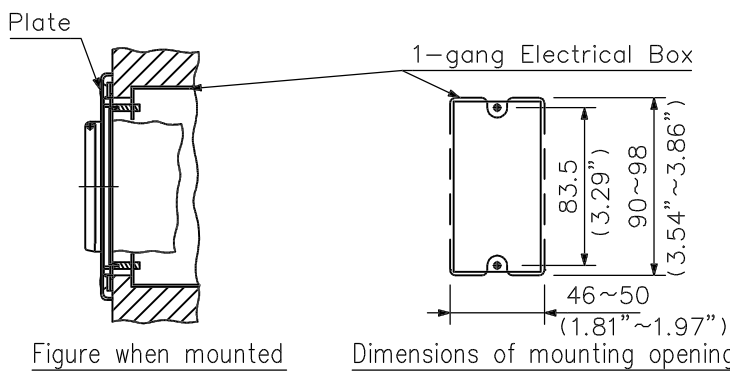
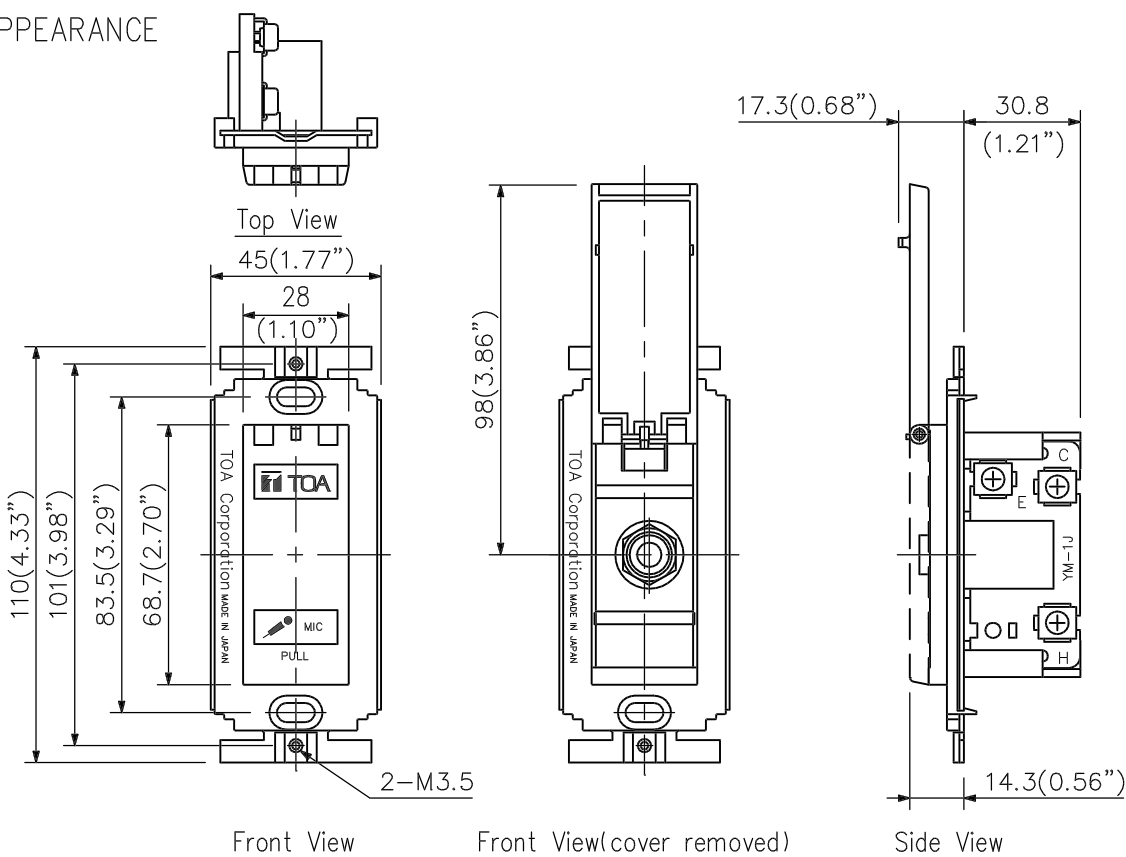
|                   |  |
|-------------------|--|
| Jack              | Double pole jack   |
| Usable Cable      | Microphone vinyl cable with sectional area of 0.75 ~ 2.0 mm <sup>2</sup> |
| Usable Plate      | YP-1AF   |
| Usable Plug       | Single or double pole plug   |
| Finish            | Cover : ABS resin (off white)<br>Frame : Steel plate (t1.2)              |
| Dimensions(WXHXD) | 45(1.77") x 110(4.33") x 48.1(1.89") mm                                  |
| Weight            | 750 g (1.65 lb.)   |
| Accessory         | Screw M4 x 35.....2  |

※When routing a power or speaker line and a microphone line through the same electric box, provide a barrier between the two for insulation.

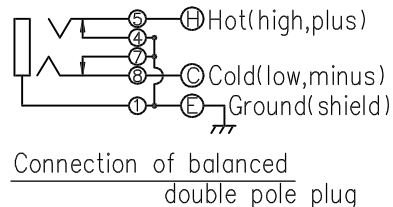
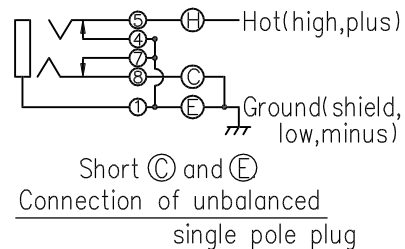
※For cables with sectional area of under 0.75 mm<sup>2</sup>, fold back their cores to increase the sectional area before making a connection.

※H(hot), C(cold), and E(ground) are shorted. Therefore, mixers or amplifiers using phantom power cannot be used.

## ■ APPEARANCE



If the opening is too small or too large, the YM-1J cannot be mounted in the wall. Be sure to make an opening with dimensions given above when mounting.



UNIT: mm SCALE: 1/2