

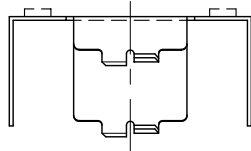
DESCRIPTION

The YC-290 is a wall-mounting bracket specially designed for the Hands-free master station of the N-8000 series Packet Intercom system. The master station can be installed on a wall or its front operation panel can be inclined from the desk surface by attaching the YC-290.

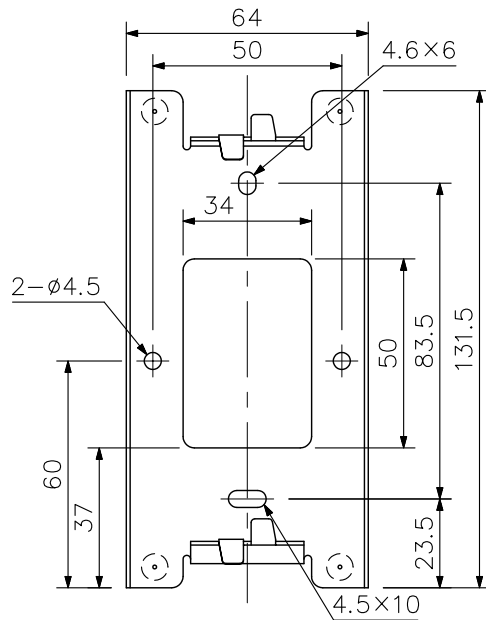
SPECIFICATIONS

| | |
|------------------|---|
| Finish | Surface-treated steel plate, gray, paint |
| Dimensions | 64 (W) × 131.5 (H) × 31.8 (D) mm |
| Weight | 100 g |
| Accessory | Screw for wall mounting (wood screw) ×2, Rubber foot ×4 |
| Applicable Model | N-8011MS |

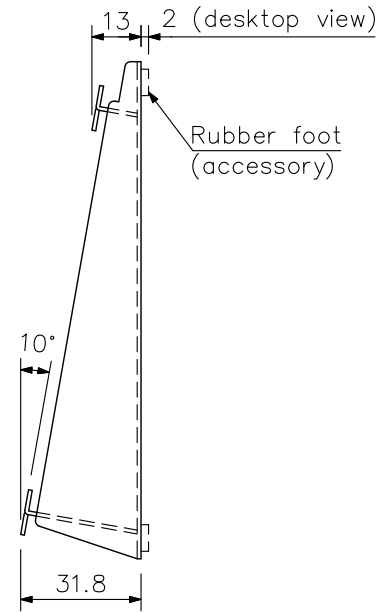
APPEARANCE



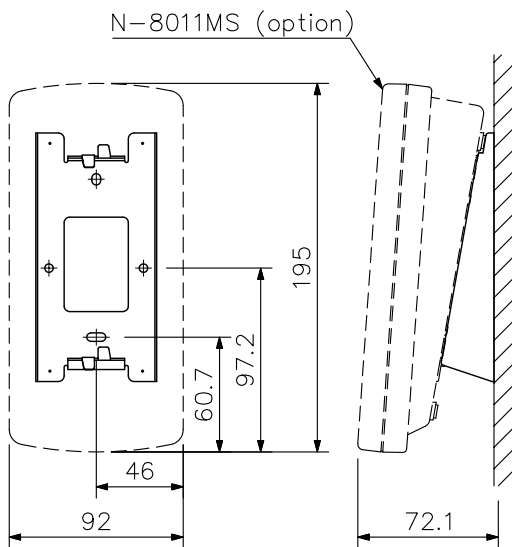
Top View



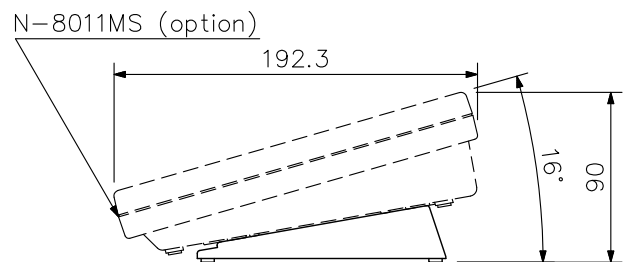
Front View



Side View



When installed on a wall



When installed on a desk

UNIT:mm SCALE:1/2

Installasion view (SCALE: 1/4)