

### DESCRIPTION

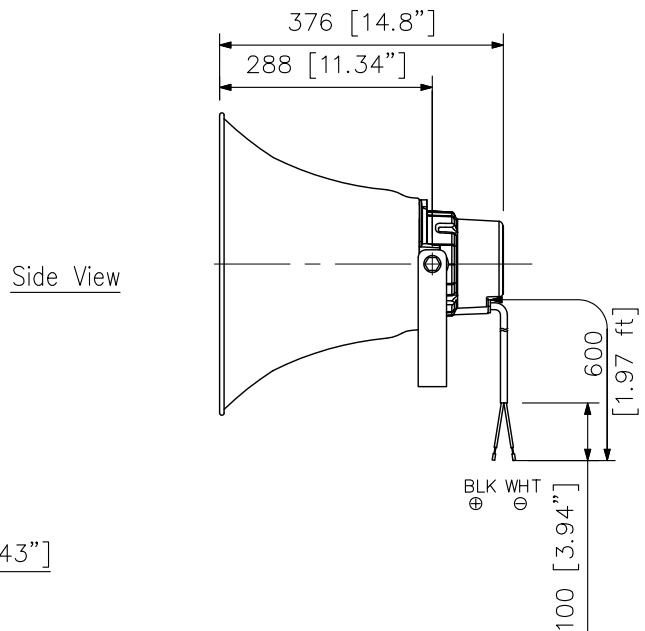
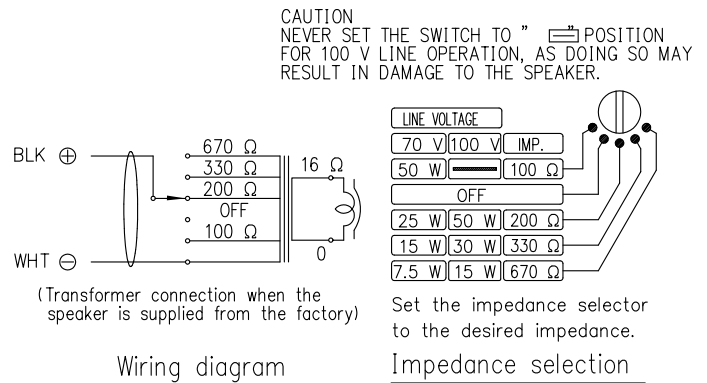
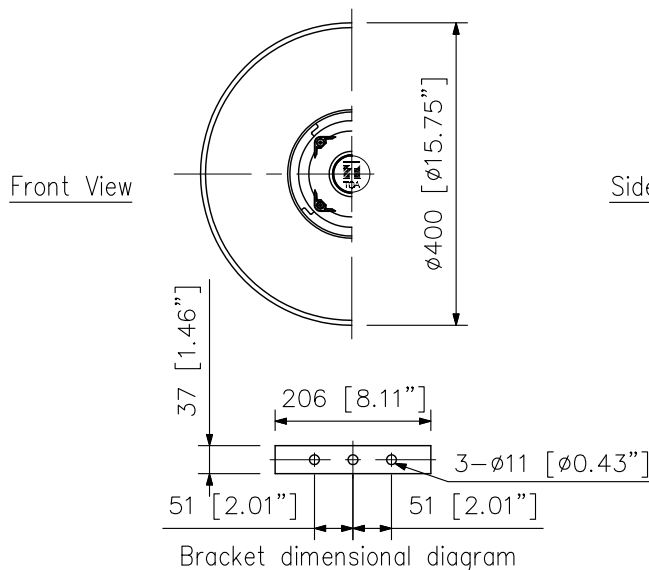
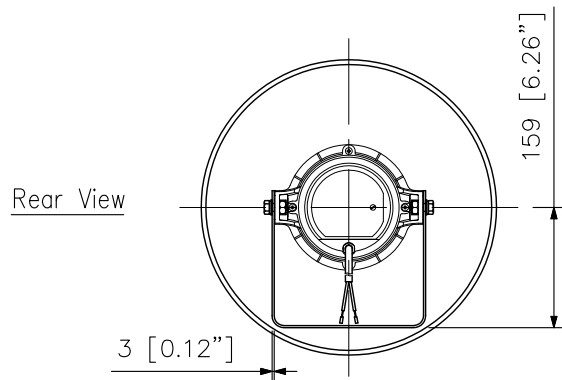
The TC-651M is a highly intelligible, general-purpose speaker suited to public address announcement applications. Its external speaker component finished with powder coating, and stainless steel screws ensure the unit's weatherproof capability.

### SPECIFICATIONS

Rated Input	50 W
Line Voltage	100 V line or 70 V line
Rated Impedance	100 V line: 200 Ω (50 W), 330 Ω (30 W), 670 Ω (15 W) 70 V line: 100 Ω (50 W), 200 Ω (25 W), 330 Ω (15 W), 670 Ω (7.5 W)
Sensitivity	111 dB (1 W, 1 m)
Frequency Response	200 Hz – 6 kHz
Dust/Water Protection	IP65
Polarity	Hot: Black, Com: White
Operating Temperature	-20 °C to +60 °C (-4 °F to 140 °F) (must be free from dew condensation)
Finish	Horn flare: Aluminum, off-white, powder coating Reflector horn: ABS resin, off-white Bracket holder: Aluminum, white, powder coating Bracket: Steel, gray, powder coating Rear cover: ABS resin, gray Screw and bolts: Stainless steel Speaker Cable: Polyvinyl chloride insulated cabtyre cable (6 mm (0.24") in diameter, 600 mm (1.97 ft) in length)
Dimensions	∅400 (W) × 376 (D) mm (∅15.75" × 14.8")
Weight	4 kg (8.82 lb)

Note: Avoid installing the speaker in locations which vibrate considerably, or under environments easy to be oil-contaminated.

### APPEARANCE



UNIT:mm SCALE:1/10