

DESCRIPTION

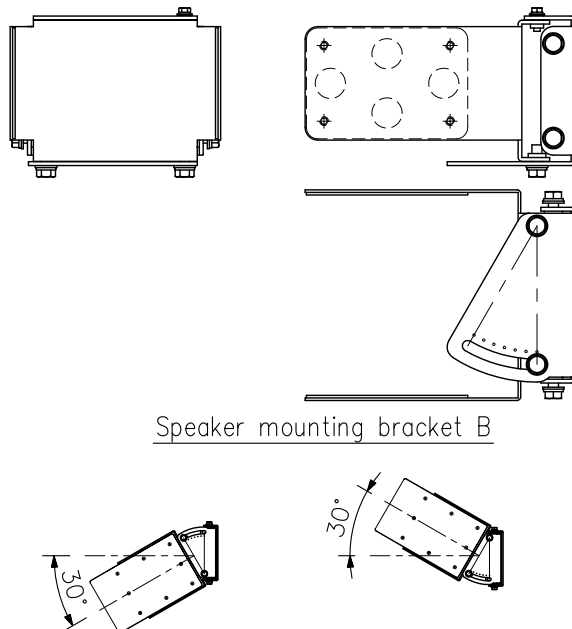
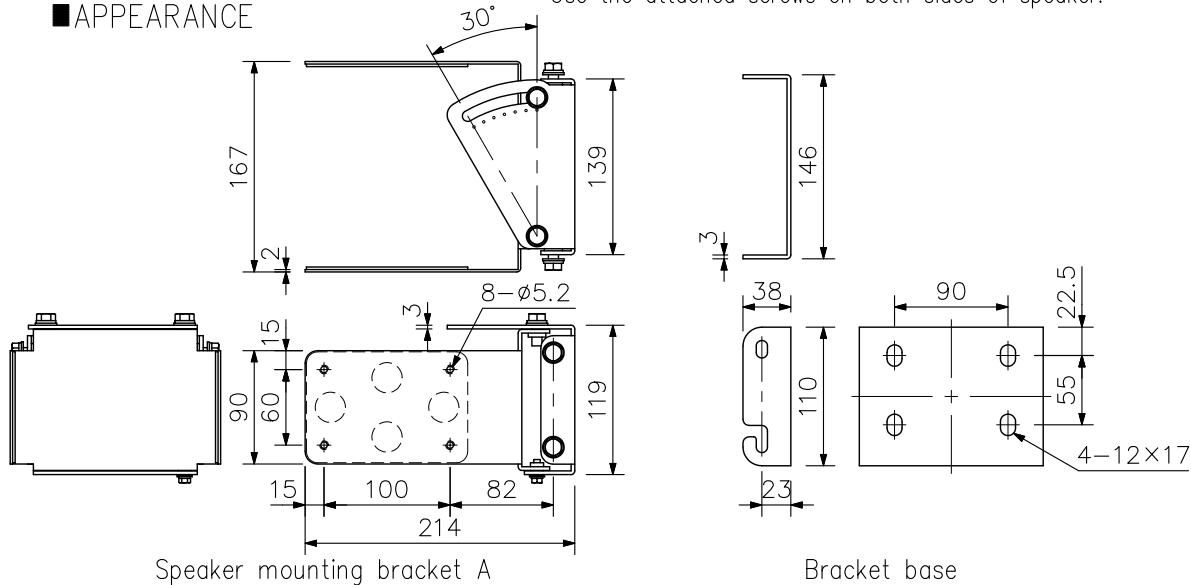
The SR-WB4WP bracket is used to mount the SR-S4LWP Line array speaker upright to the wall.

SPECIFICATIONS

Number of Speakers to be Mounted	Max. 2 (when jointed with an optional SR-EP4WP)
Finish	Stainless steel
Weight	4.3 kg (including accessories)
Product Composition	Speaker mounting bracket A ---1, Speaker mounting bracket B ---1, Bracket base ---2
Accessory	Bracket assembling screw (M8 upset head) ---8
Option	Extension plate: SR-EP4WP

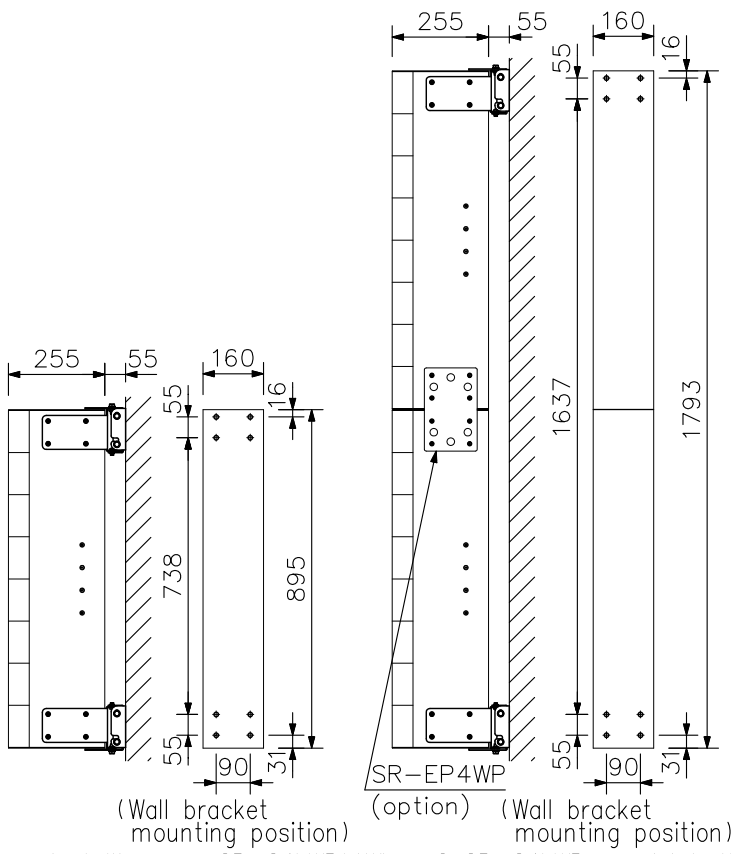
Note: The speaker fixing screws are not supplied with the unit.
Use the attached screws on both sides of speaker.

APPEARANCE



(When Bracket A is attached to the upper part of the speaker.)
(When Bracket B is attached to the upper part of the speaker.)

Note: When Speaker Bracket A is attached to the upper part of the speaker, the speaker can be tilted right at an angle of up to 30°.
When Speaker Bracket B is attached to the upper part of the speaker, the speaker can be tilted left at an angle of up to 30°.



UNIT:mm SCALE:1/6 Mounting example (scale: 1/20)