

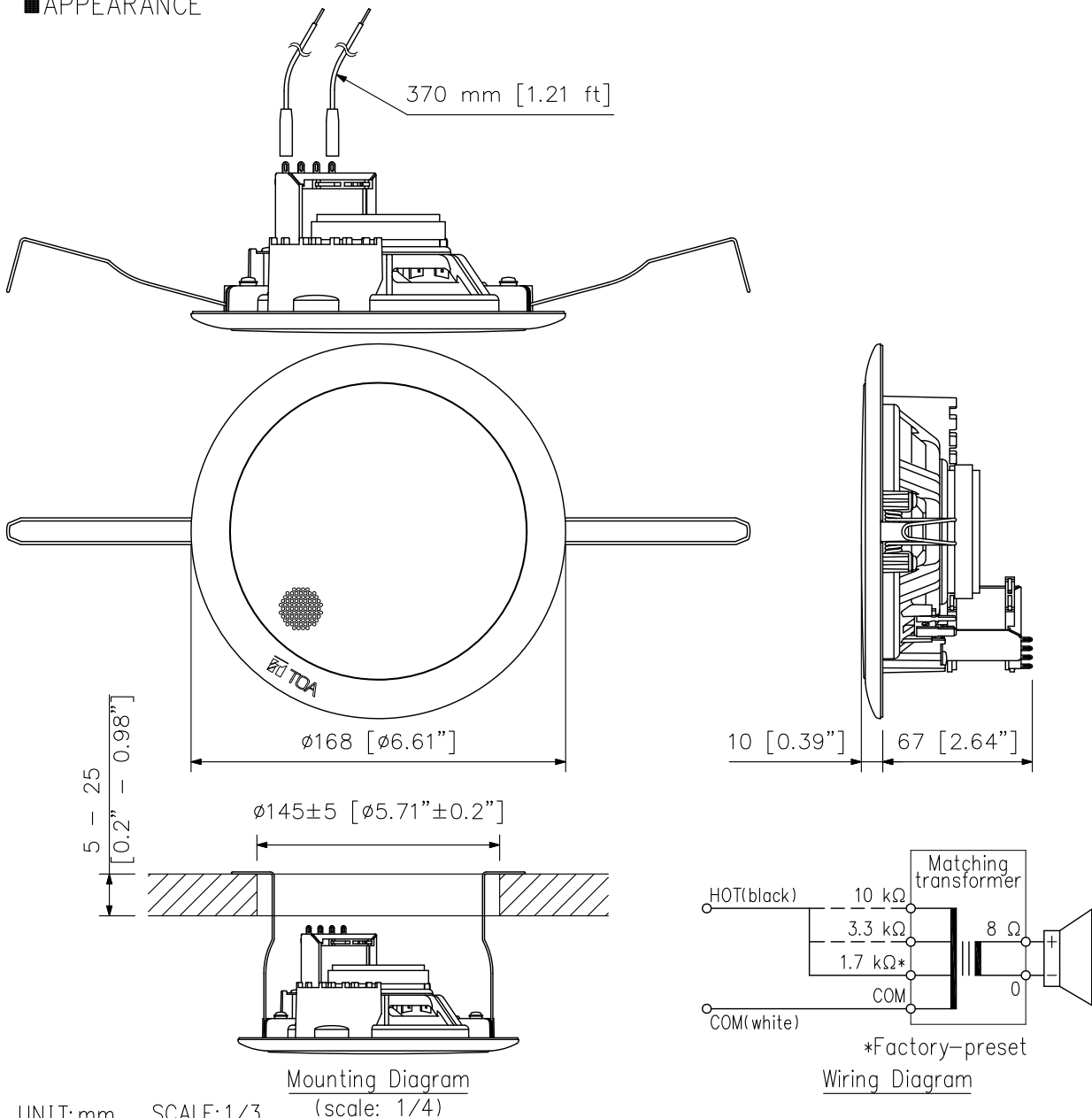
## DESCRIPTION

Integrated with a resin panel and speaker frame, the PC-648R is the ceiling mount speaker with a metal attached. It features spring clamp mechanism for easy speaker mounting to the ceiling. The input impedance can be easily changed by changing the tap position of the transformer.

## SPECIFICATIONS

Rated Input	6 W (100 V line), 3 W (70 V line)
Rated Impedance	100 V line: 1.7 kΩ (6 W), 3.3 kΩ (3 W), 10 kΩ (1 W) 70 V line: 1.7 kΩ (3 W), 3.3 kΩ (1.5 W), 10 kΩ (0.5 W)
Sensitivity	90 dB (1 W, 1 m) (500 Hz - 5 kHz, pink noise)
Frequency Response	100 Hz - 18 kHz (peak -20 dB)
Speaker Component	12 cm (5") cone-type
Dimensions for Fixing Hole	Mounting hole: $\phi 145 \pm 5$ mm ( $\phi 5.71" \pm 0.2"$ ) Ceiling thickness: 5 - 25 mm (0.2" - 0.98")
Speaker Mounting Method	Spring clamp
Finish	Baffle: Polypropylene resin, white (RAL 9016 equivalent) Grille: Surface-treated steel plate net, white (RAL 9016 equivalent), paint
Dimensions	$\phi 168 \times 77$ (D) mm ( $\phi 6.61" \times 3.03"$ )
Weight	470 g (1.04 lb)
Accessory	Paper pattern ...1

## APPEARANCE



UNIT:mm SCALE:1/3