

### DESCRIPTION

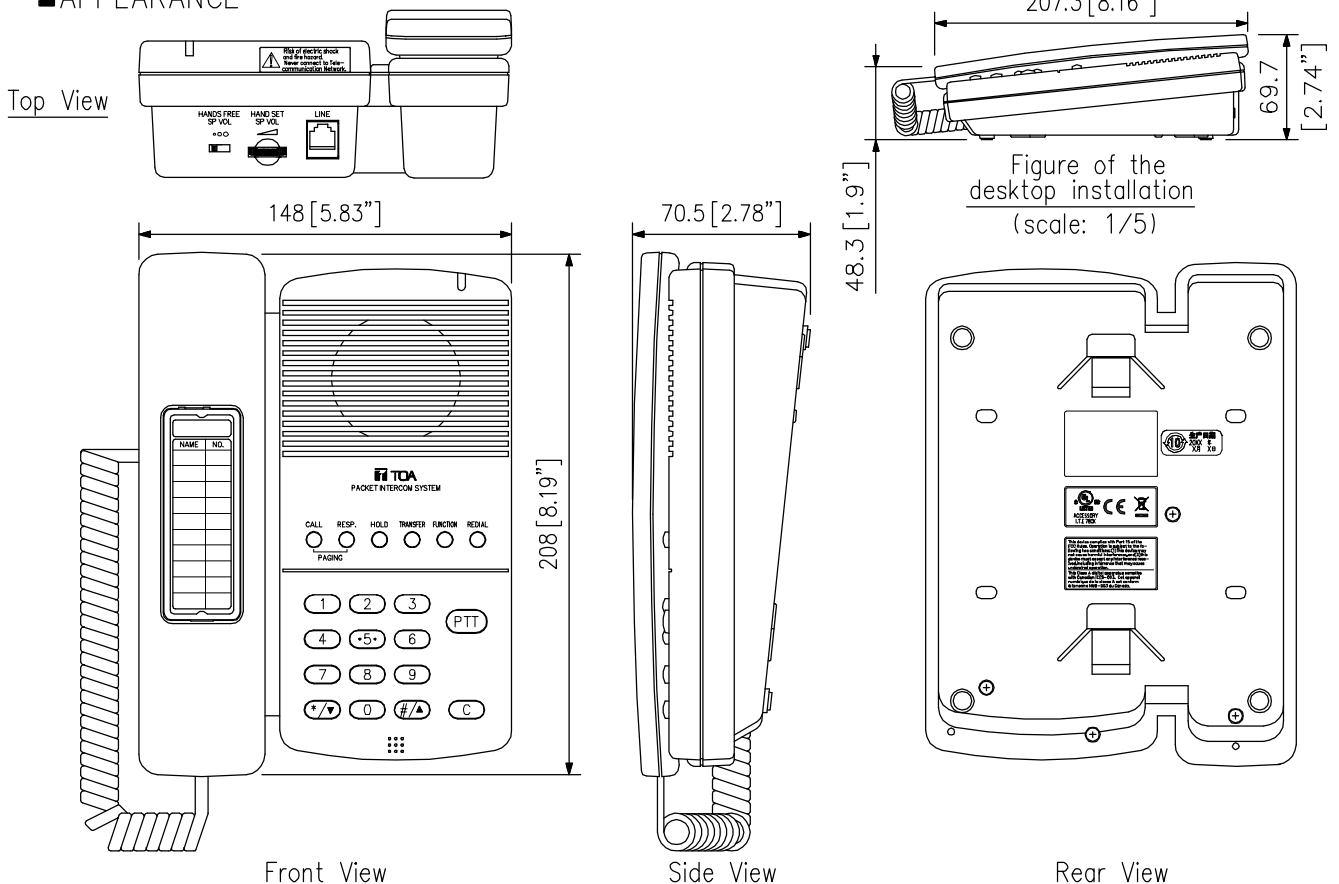
This Master Station is designed to connect to the N-8400RS Sub Station Interface Unit, and provides hands-free or handset conversation of high sound quality. This station can be mounted to the wall using an optional YC-280 wall mounting bracket.

### SPECIFICATIONS

\* 0 dB = 1 V

Power Source	24 V DC (supplied from the sub station interface unit N-8400RS)
Current Consumption	Max. 30 mA
Wiring Method	2 sets of twisted pair cable
Transmission System	4 wire baseband transmission system
Signal Level	25 dB* (up), 0 dB* or less (down)
Speech Method	Hands-free or handset conversation
Audio Frequency Range	300 Hz - 7 kHz
Transmission Range	1 km (1093 yd)/ $\phi$ 0.5 mm (AWG24) 1.5 km (1640 yd)/ $\phi$ 0.65 mm (AWG22) 2 km (2187 yd)/ $\phi$ 0.9 mm (AWG19)
Hands-free	Speaker: 5.7 cm cone-type, 0.6 W, 8 $\Omega$ Microphone: Omni-directional electret condenser microphone Speaker volume control: 3-step switch (1-step, 4 dB)
Handset	Receive path: Dynamic type, Send path: Electret condenser microphone Handset receiver volume control: Rotary volume, Maximum control level: 12 - 18 dB
Indication	Status lamp
Line Connecting Terminal	RJ11 modular jack
Installation Method	Desk/Surface mounted master station (When mounting to the wall, use the optional YC-280.)
Operating Temperature	0 °C to +40 °C (32 °F to 104 °F)
Operating Humidity	90 %RH or less (no condensation)
Finish	Body, Handset: ABS resin, gray
Dimensions	148 (W) x 208 (H) x 70.5 (D) mm (5.83" x 8.19" x 2.78") (excluding a curl cord section)
Weight	720 g (1.59 lb)
Accessory	Connection cord (3 m (9.84 ft)) $\times$ 1
Option	Wall mounting bracket: YC-280

### APPEARANCE



UNIT: mm SCALE: 1/3