

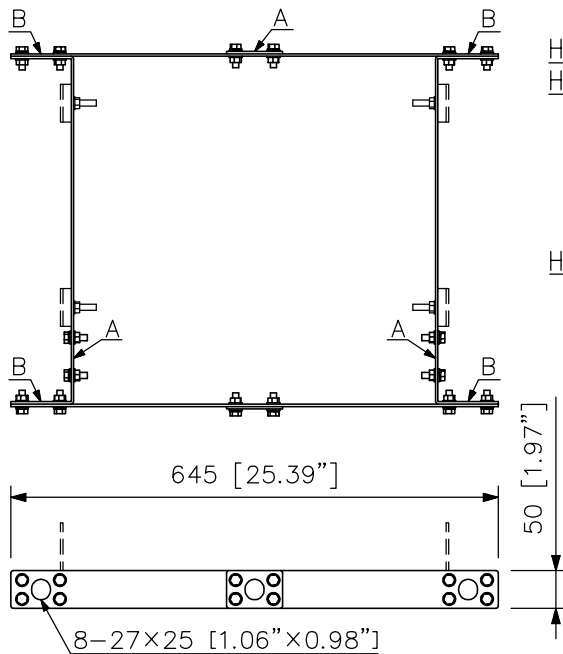
DESCRIPTION

The HY-PF7B is used exclusively to suspend the HX-7B speaker system from the ceiling. The FB-150B Subwoofer can be suspended using this frame and the frame's supplied mounting brackets.

SPECIFICATIONS

Finish	Steel plate, black, semi-gloss, paint
Dimensions	645 (W) × 50 (H) × 472 (D) mm (25.39" × 1.97" × 18.58") (excluding projection)
Weight	4 kg (8.82 lb)
Accessory	Subwoofer mounting bracket *1 set, Bracket mounting bolt *1 set

APPEARANCE



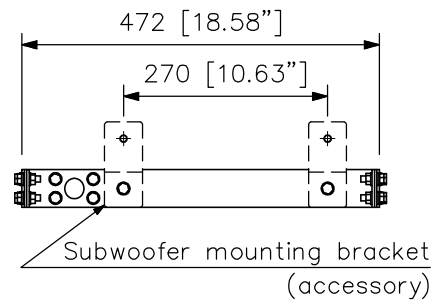
Hanging the HX-7B

Hanging the HX-7B with the FB-150B mounted

Holes A are used for hanging between the HY-PF7B and the HX-7B (3-point hanging), and Holes B are used for hanging between the HY-PF7B and the ceiling (4-point hanging).

Hanging the FB-150B

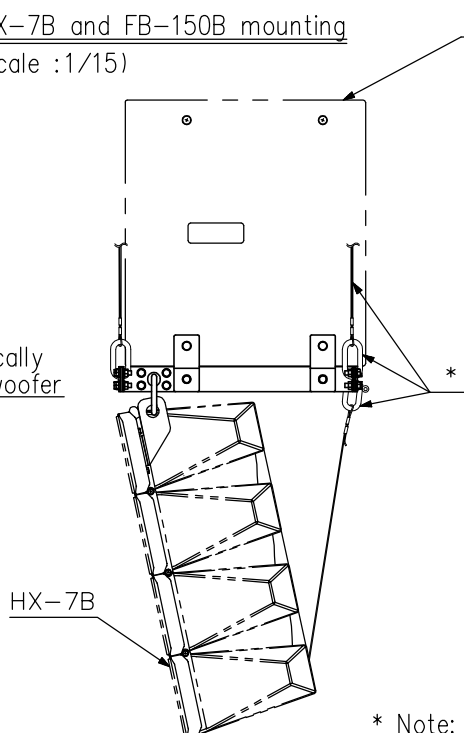
Holes B are used for hanging between the HY-PF7B and the ceiling (4-point hanging).



Example for HX-7B and FB-150B mounting

(scale :1/15)

Hanging vertically with the subwoofer



Hanging the subwoofer only

UNIT:mm SCALE:1/10