

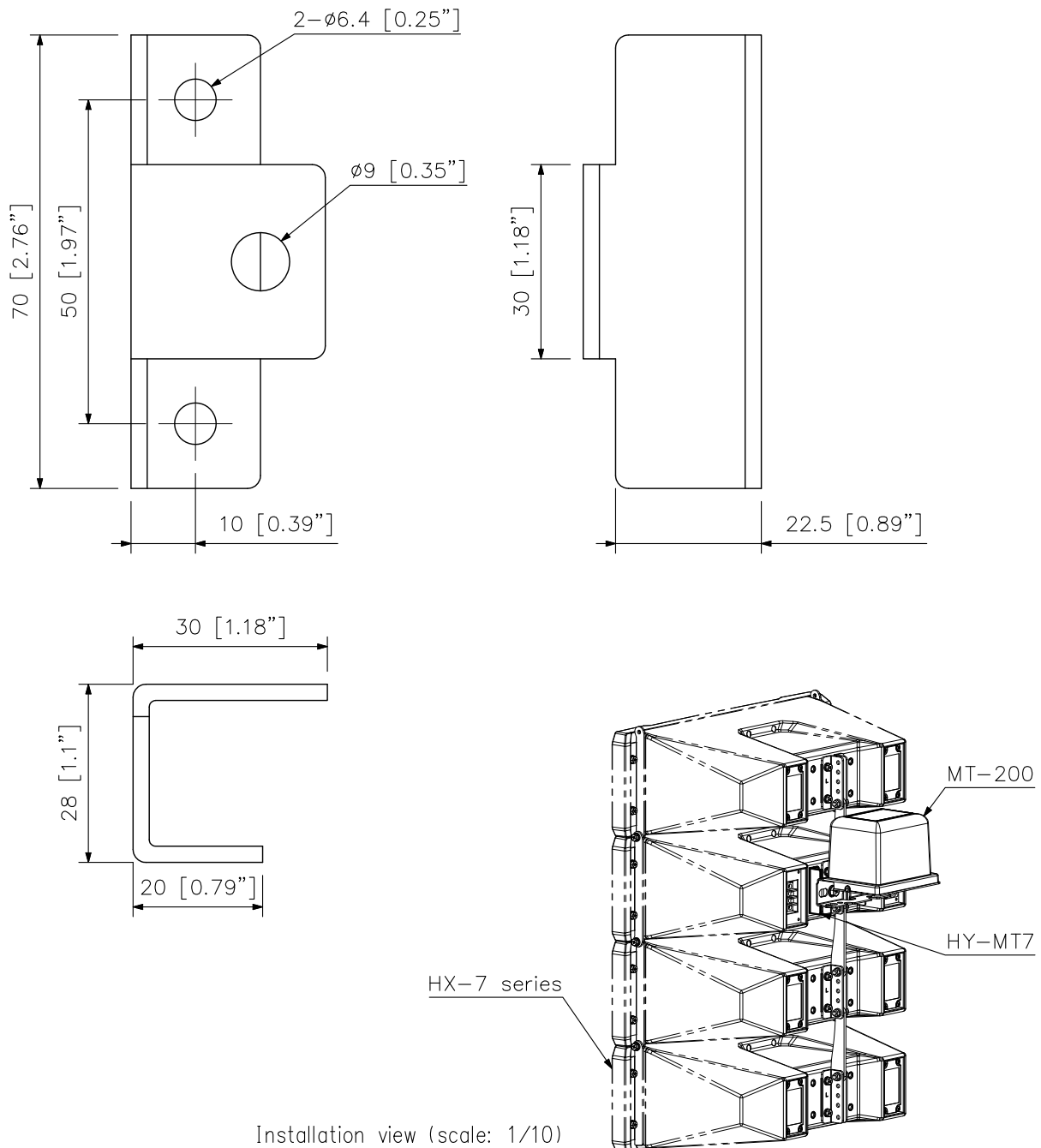
DESCRIPTION

The HY-MT7 Matching Transformer Adapter is designed to mount the MT-200 Matching Transformer to the HX-7 Series Speaker System. It comes in a set of 2 pieces.

SPECIFICATIONS

Applicable Speaker	HX-7B, HX-7W, HX-7B-WP, HX-7W-WP
Finish	Stainless steel, black, semi-gloss, paint
Dimensions	30 (W) × 70 (H) × 28 (D) mm (1.18" × 2.76" × 1.1")
Weight	140 g (0.31 lb)
Accessory	Speaker mounting bolt ...4, Matching transformer mounting nut ...2, Matching transformer mounting washer ...2

APPEARANCE



UNIT:mm SCALE:1/1