

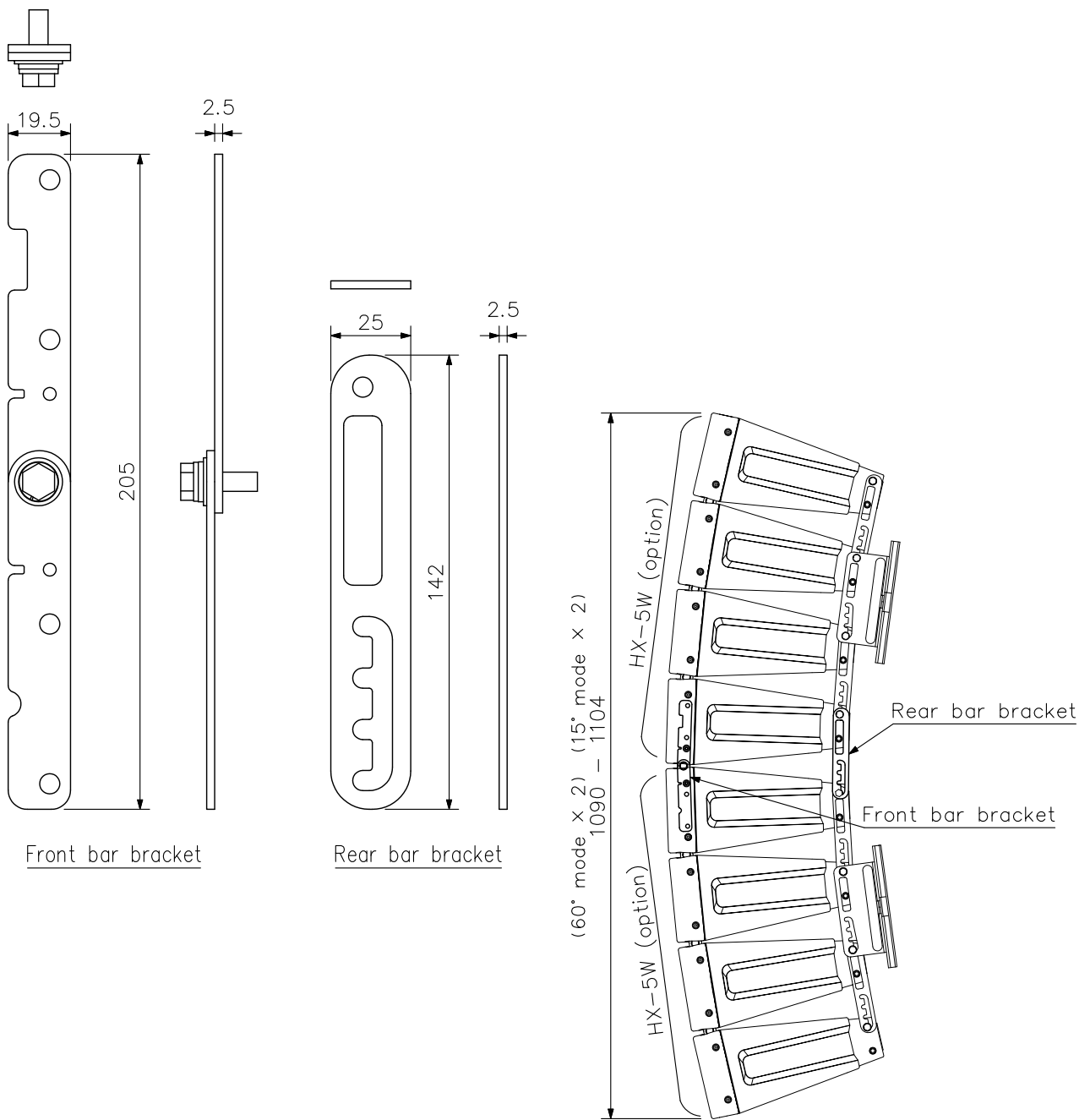
DESCRIPTION

The HY-CN1W is used to join 2 HX-5 series speaker systems, typically for the purpose of achieving better speaker directivity control in lower frequencies. Such directivity control helps achieve clearer and longer-rangesound reproduction in locations where sound efficiency may be hampered by conditions like long reverberation time or a high level of background noise. This bracket is designed for indoor use.

SPECIFICATIONS

Finish	Steel plate, white, semi-gloss, paint
Weight	200 g
Product Composition	Front bar bracket ×2, Rear bar bracket ×1

APPEARANCE



Speaker mounting example (scale: 1/10)

UNIT:mm SCALE:1/2