

DESCRIPTION

The N-8610RM is an IP remote microphone that employs packet audio technology. High-quality voice output to intercom stations connected to the IP intercom exchange or Multi-Interface Unit and to other N-8610RM units can be achieved by simply connecting the remote microphone to a LAN or WAN network. The N-8610RM features a full range of remote microphone operating capability, and is equipped with 14 function keys, including one under a cover, each with its own indicator. Functions can be assigned individually to these keys. The number of function keys and indicators can be increased to up to 40 in blocks of 10 with the addition of up to 4 RM-210 Extension Units. Power can be supplied to the microphone using a PoE-compatible switching hub, eliminating the need for the N-8610RM's optional AC adapter. The N-8610RM can also be wall-mounted with the additional use of the optional WB-RM200 Wall-Mounting Bracket.

SPECIFICATIONS

\* 0 dB = 1 V

Power Source	Power supply device that complies with IEEE802.3af standard or 12 V DC (use of the optional AC adapter)
Power Consumption	Use of the AC adapter (12 V DC): 4 W (microphone only), 8.5 W (when connecting 4 RM-210 Extension units) Use of the PoE (48 V DC): 5.2 W (microphone only), 7.5 W (when connecting 2 RM-210 Extension units)
Speech Method	Hands-free conversation (use of goose-neck microphone)
Audio Frequency Range	300 Hz - 7 kHz
Microphone	Unidirectional electret condenser microphone
Built-in Speaker	6.6 cm (2.6") cone-type, rated output 0.3 W, 8 Ω
Network Section	Network I/F: 10BASE-T/100BASE-TX (Automatic-Negotiation) Network protocol: TCP/IP, UDP, HTTP, RTP, ARP, ICMP, IGMP Audio packet transmission system: Unicast, Multicast Number of paging destinations: Unicast (max. 16), Multicast (max. 191) Connector: LAN: RJ45 connector (PoE compatible) Voice sampling frequency: 16 kHz, 8 kHz (controllable on the software) Quantifying bit number: 16 bits Voice encoding method: Sub-band ADPCM, Cryptosystem Voice packet loss recovery: Silence insertion Audio delay time: 80 ms, 320 ms (controllable on the software)
No. of Connectable Expansion	Max. 4 units (maximum 2 units at PoE power supply)
Operation	Function keys (including a covered key), talk key
Indicator	Power indicator, Status indicator, Selection indicator, Broadcast status indicator, Microphone indicator
Installation Method	Desk/Surface mounted master station (When mounting to the wall, use the optional WB-RM200.)
Operating Temperature	0 °C to +40 °C (32 °F to 104 °F)
Operating Humidity	90 %RH or less (no condensation)
Finish	ABS resin, blueish gray
Dimensions	190 (W) x 76.5 (H) x 215 (D) mm (7.48" x 3.01" x 8.46") (excluding microphone)
Weight	700 g (1.54 lb)
Accessory	CD (for PC setting, maintenance use) ---1, Ferrite clamp (for power supply cable, LAN cable, and extension unit cable) ---1 each
Option	Remote microphone extension: RM-210 Wall mounting bracket: WB-RM200, AC adapter: AD-1215P

APPEARANCE

Rear View

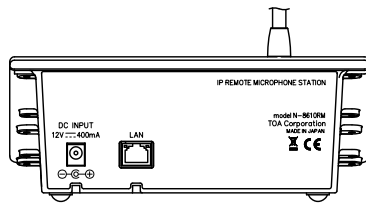
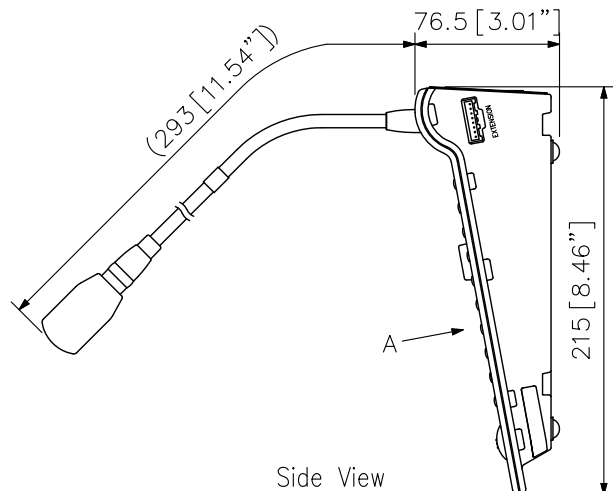
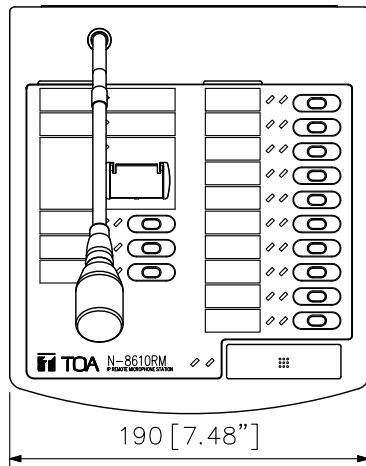


Figure as viewed from point A



Side View

UNIT: mm SCALE: 1/4