

DESCRIPTION

The MA-725F matrix amplifier performs matrix controls from 4 LINE plus 2 MIC/LINE level inputs to 4 output channels. Each output channel features 250W at 70V/100V class-D digital amplifier with 64 DSP preset selections for general equalizations, crossover for sub-woofer, or variety of TOA speakers' EQ settings. 2 MIC/LINE inputs have 1st and 2nd priority levels which can override at assigned output channels automatically or manually. If connected with optional WP-700-AS wall remotes via CAT-5 cable, audio source selection and volume controls can be done remotely. Those all assignments and setups can be done by dip switches on its rear panel without laptop PC.

This unit fits a wide range of applications require multi-zone pagings and/or background music distribution at restaurants, pubs, retail stores, or factories etc.

SPECIFICATIONS

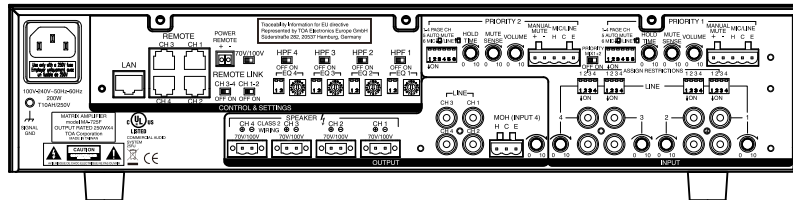
(* 0dB = 1V)

| | | |
|---------------------------|---|--|
| Power Source | 100 - 240V AC, 50/60Hz | |
| Power Consumption | 1350 W (rated output), 200 W (based on cULus standards), 42.5 W (idle), 22 W or less (Stand-by) | |
| Frequency Response | 20Hz - 20 kHz (-3dB / +1dB, LPF OFF) | |
| Total Harmonic Distortion | 1% or less, at 1kHz, rated output | |
| Certification | cULus 60065, EN60065, EN55032, EN55020, FCC part15 class A | |
| Input | PRIORITY 1, 2: | Mic -60dB* / Line -10dB* selectable, 2.2kΩ, electrically balanced, removable terminal block |
| | LINE IN 1,2,3,4: | -10dB*, 10kΩ, unbalanced, 2 RCA jacks (Stereo summing) |
| Output | SPEAKER 1,2,3,4: | 70V (20Ω), 100V (40Ω), removable terminal block |
| | LINE OUT 1,2,3,4: | 0dB*, 600Ω, unbalanced, RCA jack |
| | MOH: | 0dB*, 600Ω, transformer balanced, removable terminal block |
| DSP Preset | 16 presets in 4 banks at each output channel, selectable | |
| S/N Ratio | Mic: 60 dB* or more, Line: 75dB* or more (A-weighted) | |
| Muting | Manual mute / Automatic mute | |
| Mute Hold Time | 50ms - 10 seconds, adjustable | |
| Priority Level | PRIORITY 1 > PRIORITY 2 > LINE 1,2,3,4 | |
| Control | POWER: | ON/OFF switch, Power remote terminal |
| | PRIORITY 1,2: | MIC/LINE selector switch, Gain control, Assign switch, Auto mute switch, Mute sense control, Manual mute terminal, Mute hold time control, Priority mix switch |
| | LINE IN 1,2,3,4: | Gain control, Assign restriction switch |
| | OUTPUT 1,2,3,4: | LINE IN 1-4 selector switch, Output gain control, 70V/100V selector switch, HPF switch, DSP bank selector switch, DSP preset selector switch |
| | REMOTE 1,2,3,4: | Remote control connector (RJ-45), Remote link switch |
| Indicator | POWER: | 1 Power LED |
| | PRIORITY 1,2: | 1 Signal LED, 1 Peak LED |
| | LINE IN 1,2,3,4: | 1 Signal LED, 1 Peak LED |
| | OUTPUT 1,2,3,4: | 2 Activated PRIORITY LED, 1 Connected REMOTE LED, 4 Selected LINE LED, 1 Signal LED, 1 Peak LED, 1 Protect LED |
| Operating Temperature | 0 °C to 40 °C (32°F to 104°F) | |
| Operating Humidity | 35% to 80%RH (no condensation) | |
| Finish | Panel: Aluminum, hair line, black | |
| | Case: Steel plate, black, paint | |
| Dimension | 420(W) X 107.6(H) X 350(D) mm (16.54" X 4.24" X 13.78") | |
| Weight | 7.6kg (16.7 lbs.) | |

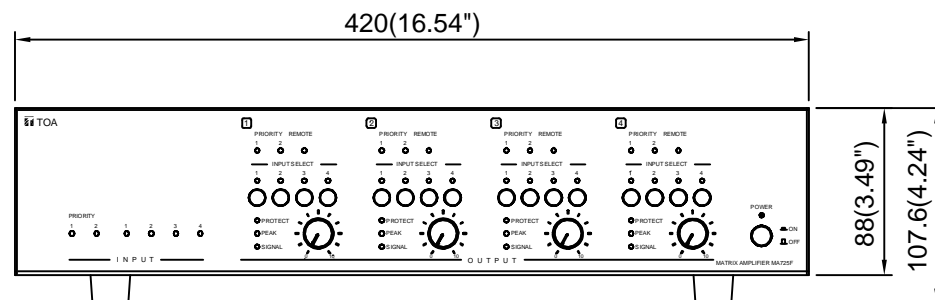
■ SPECIFICATIONS

| | |
|-------------|--|
| Accessories | Power code (2m, 5.65ft.)...1, Removable terminal plug (5 pins...2, 3 pins...1, 2 pins...4), Rack mounting bracket...2, Bracket mounting screw...4, User's manual...1 |
| Option | Remote controller: WP-700-AS |

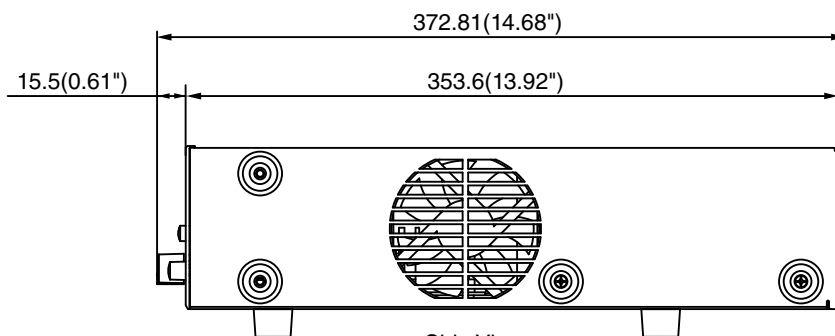
■ APPEARANCE



Rear View



Front View



Side View

| | |
|---------|----|
| Version | AS |
| AC plug | |

UNIT:mm SCALE: 1/4