

### DESCRIPTION

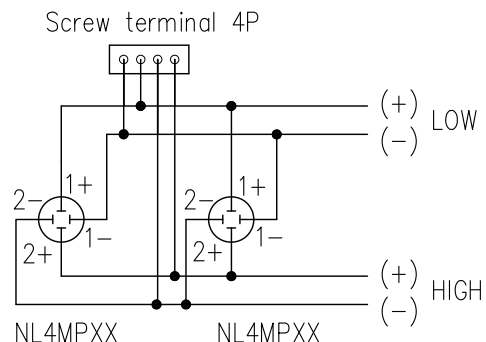
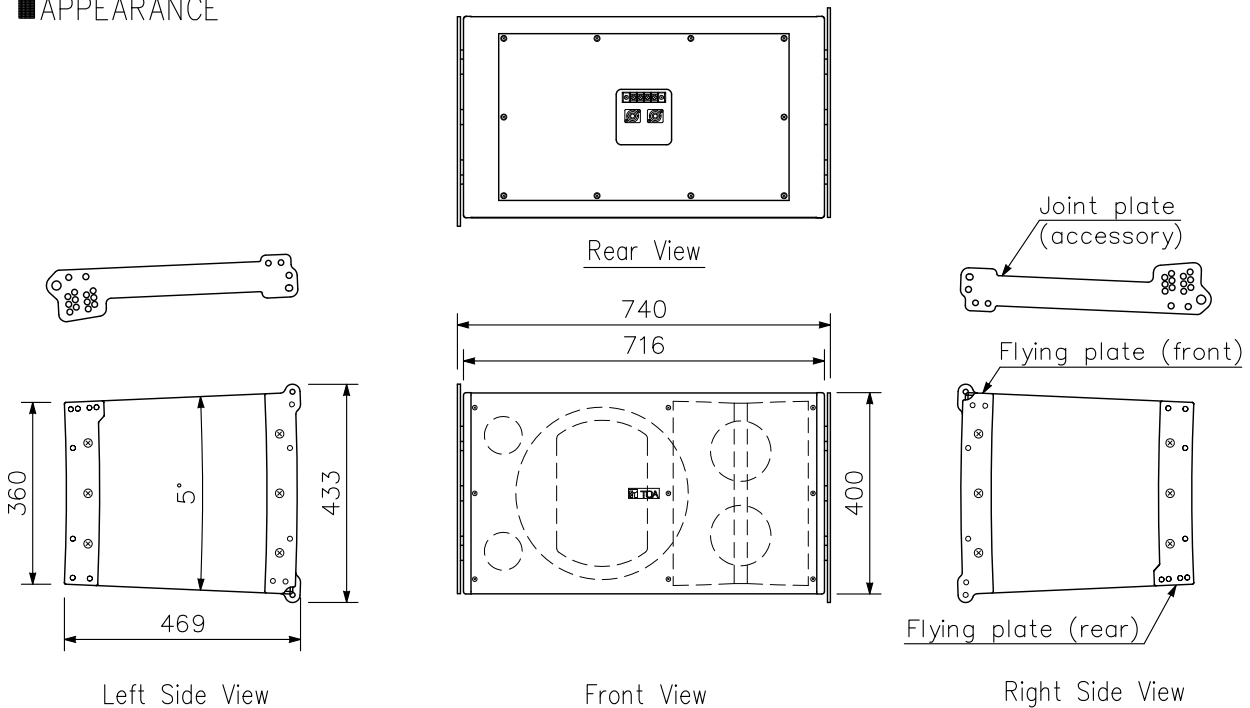
Featuring the line arrayed wave front control technology that creates sound fields with uniform sound pressure and high sound clarity, the SR-A12L is a two-way line array speaker ideal for long distance sound transmission.

The SR-A12L employs the multi-amplifier drive system.  
Recommended digital speaker processor is the DP-SP3 (option).

### SPECIFICATIONS

Enclosure	Bass-reflex type
Power Handling Capacity	Continuous program Low frequency: 450 W, High frequency: 180 W
Rated Impedance	Low frequency: 8 Ω, High frequency: 16 Ω
Sensitivity	Low frequency: 98 dB (1 W, 1 m), High frequency: 110 dB (1 W, 1m)
Frequency Response	50 Hz - 20 kHz (when recommended parameters are applied by the optional DP-SP3)
Crossover Frequency	1 kHz (when recommended parameters are applied by the optional DP-SP3)
Directivity Angle	Horizontal: 90°, Vertical: 5°
Speaker Component	Low frequency: 30 cm cone-type High frequency: Wave front control horn 90° (horizontal) × 5° (vertical) + compression driver × 2
Input Connector	M4 screw terminal, distance between barriers: 10 mm and Neutrik NL4MPXX × 2
Finish	Enclosure: Plywood, black, paint Front grille: Punched steel plate, black, acrylic paint
Dimensions	740 (W) × 433 (H) × 469 (D) mm
Weight	49 kg (including accessories)
Accessory	Joint plate × 2, Joint plate mounting bolt (M10) × 16
Option	Rigging frame: SR-RF12 Digital speaker processor: DP-SP3

### APPEARANCE



Wiring Diagram

UNIT: mm SCALE: 1/15