





# DIGITAL STEREO MIXER

M-864D  
(CE/CE-AU/CE-GB)

## SPECIFICATIONS

Front Panel Section	
Input Level Indicator	3-point LED, 12 channels (each monaural input channel, stereo 1L, 1R, 2L, 2R)
Output Level Indicator	8-point LED, 4 channels (each output channel)
Auto Resonance Control (ARC) Measurement	ARC measuring start switch X1, ON/OFF LED X1
Feedback Suppressor (FBS) Function	ON/OFF switch X8, ON/OFF LED X8
Low Cut	ON/OFF switch X8, ON/OFF LED X8
Stereo Summing	ON/OFF switch X2, ON/OFF LED X2
Tone Control	BASS, MID, TREBLE/Settable on the function setting panel, 10 channels (each monaural input channel, stereo 1L, 1R, 2L, 2R)
Monaural Input, Analog Setting	Gain setting, PAD ON/OFF, Phantom power ON/OFF Settable on the function setting panel, 8 channels (each monaural input channel)
Stereo Input, Analog Setting	Trim setting Settable on the function setting panel, 6 channels (1-A, 1-B, 1-C), (2-A, 2-B, 2-C)
REC OUT, Gain Setting	Gain setting Settable on the function setting panel, 2 channels (REC OUT L, REC OUT R)
Preset Memory Switching	Preset selection switch X4, ON/OFF LED X4
Front Panel Operation Lock	Operation lock switch X1, ON/OFF LED X1
Operation Status Indication	Operation status LED X3
Function Setting Panel	Rotary encoder X3, 10-point position indication LED X3, Function mode LED X3
Analog Volume Fader	Input volume fader X10, Output volume fader X4, 2 faders linkable with supplied gang bar
Control Section	
Contact Input	8 channels, open voltage: 24 V DC, short-circuit current: 5 mA, removable terminal block (10P),
Contact output	8 channels, no-voltage make contact, contact capacity: 24 V DC/100 mA, removable terminal block (10P),
Remote Control Panel	2 channels, Maximum number of units: 8 units per channel 24 V DC input X2, termination ON/OFF switch X1, removable terminal block (10P) Maximum total cable length (star wiring): 800 m (total for 2 channels) Maximum cable length (daisy chain wiring): 400 m per channel Note: In daisy chain wiring, the number of units differs depending on the cable length. Star wiring and daisy chain wiring cannot be used together. Type of cable: Shielded CPEV cable (a pair of data cable and a pair of power supply cable) or shielded Cat 5 twisted pair cable for LAN (CAT5-STP)
Network	Network I/F: 1 channel of 10BASE-T/100BASE-TX (auto-negotiation) RJ45 connector, connection via switching hub Network protocol: TCP/IP Connection cable: Shielded Cat. 5 or higher twisted pair cable for LAN (Cat. 5-STP or better) Maximum cable length: 100 m (between M-864D and switching hub)
Operating Temperature	0 °C to +40 °C (32 °F to 104 °F)
Operating Humidity	90 %RH (no condensation)
Finish	Panel: Aluminum, hairline, black, Case: Surface-treated steel plate
Dimensions	482.6 (W) × 177.1 (H) × 157.2 (D) mm (19" × 6.97" × 6.19")
Weight	5.1 kg (11.24 lb)
Accessories	Power supply cord (2 m (6.56 ft)) X1, removable terminal plug (3P) X12, large type removable terminal plug (10P) X2, small type removable terminal plug (10P) X1, fader gang bar X4, protective cover X1, rack mounting screw X4, CD-ROM (containing setup software) X1
Option	Remote control panel: ZM-9011/9012/9013/9014 AC adapter: AD-246(*3) (When using the Remote Control Panel)

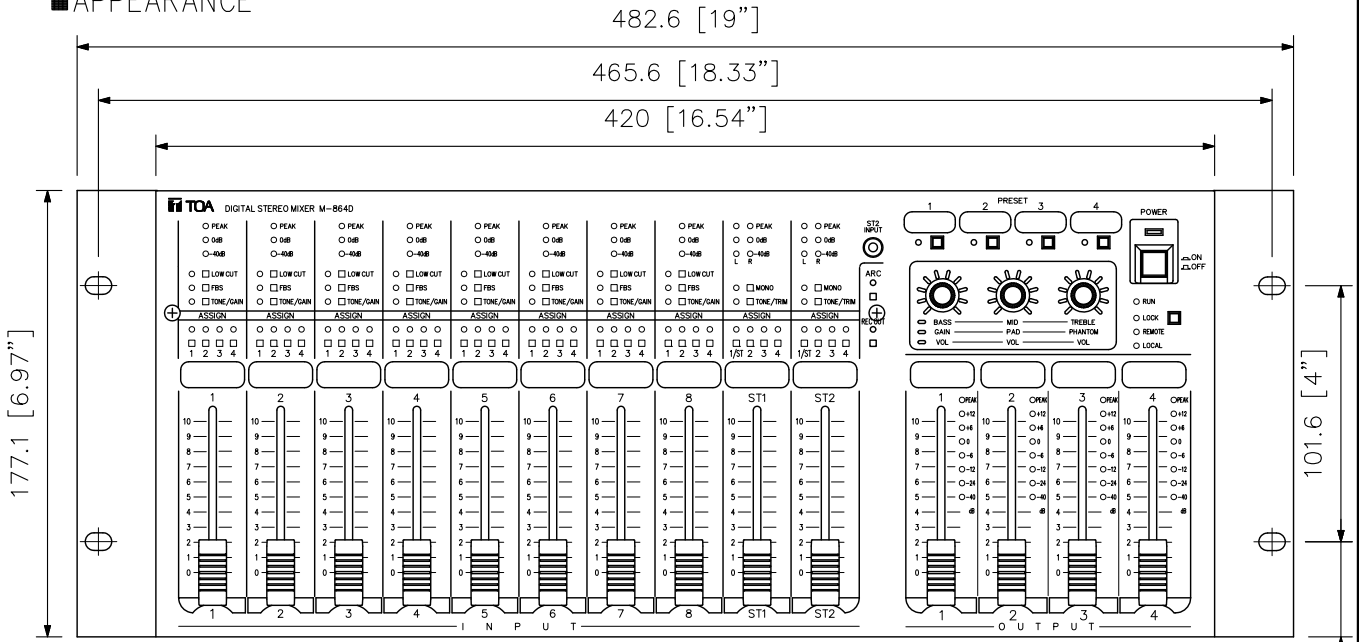
(\*3) Consult your TOA dealer when using an equivalent adapter.

### Personal Computer Requirements

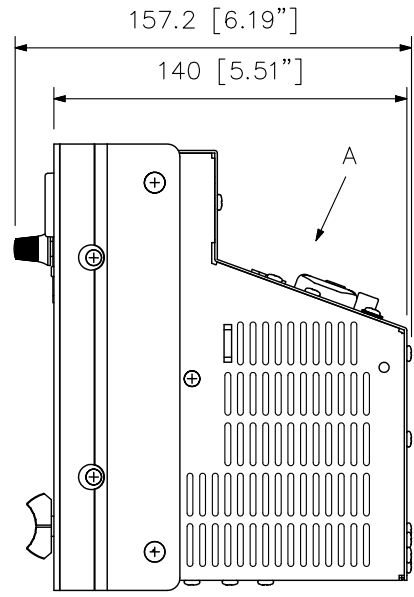
Requirements	CPU: Pentium 4, 2 GHz or faster Memory: 1.5 GB or more (2 GB recommended) Display: 1024 × 768 resolution or higher Free Hard Disk Space: 16 MB or more, however 600 MB or more is required for the 32-bit version or 1.5 GB or more for the 64-bit version when ".NET Framework" is not yet installed Optical Drive: CD-ROM drive, Network Adapter: 10BASE-T or faster connection
OS	Windows 7 (32/64-bit edition) Windows 10 Pro (32/64-bit edition)
Required Component	.NET Framework 4 Client Profile

- ※ Windows is a registered trademark or trademark of Microsoft Corporation in the United States and/or other countries.
- ※ Pentium is a trademark of Intel Corporation.
- ※ Other company names and products are also trademarks of individual companies.

■ APPEARANCE



Front View



Right Side View

Version	CE	CE-AU	CE-GB
Indication	CE 50/60Hz	CE-AU 50Hz	CE-GB 50/60Hz
AC plug			
Conformity mark			

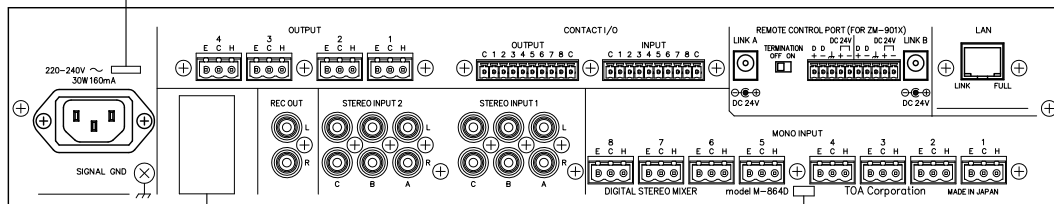


Figure as viewed from point A

UNIT: mm SCALE: 1/3