

DESCRIPTION

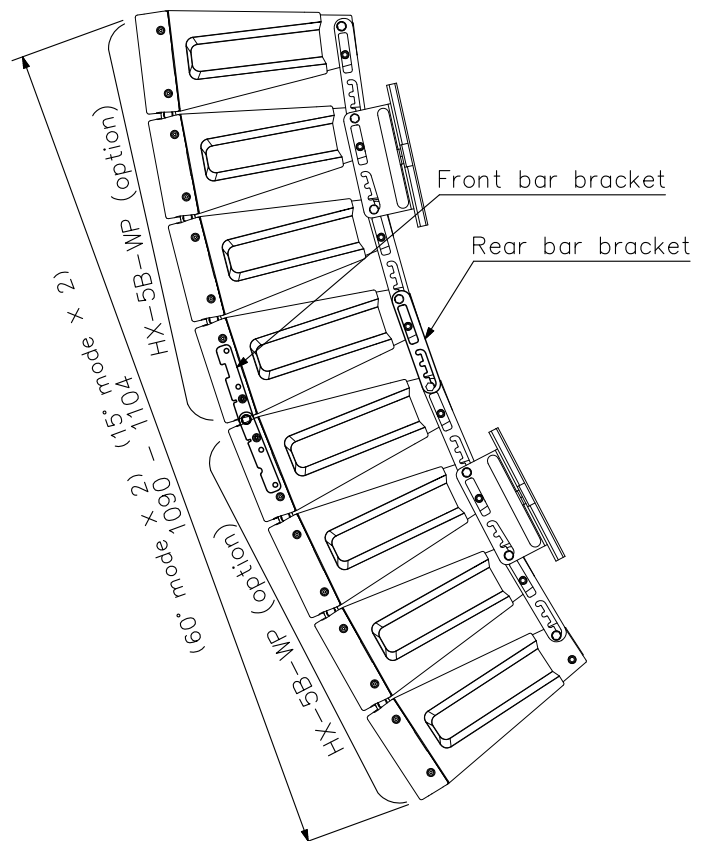
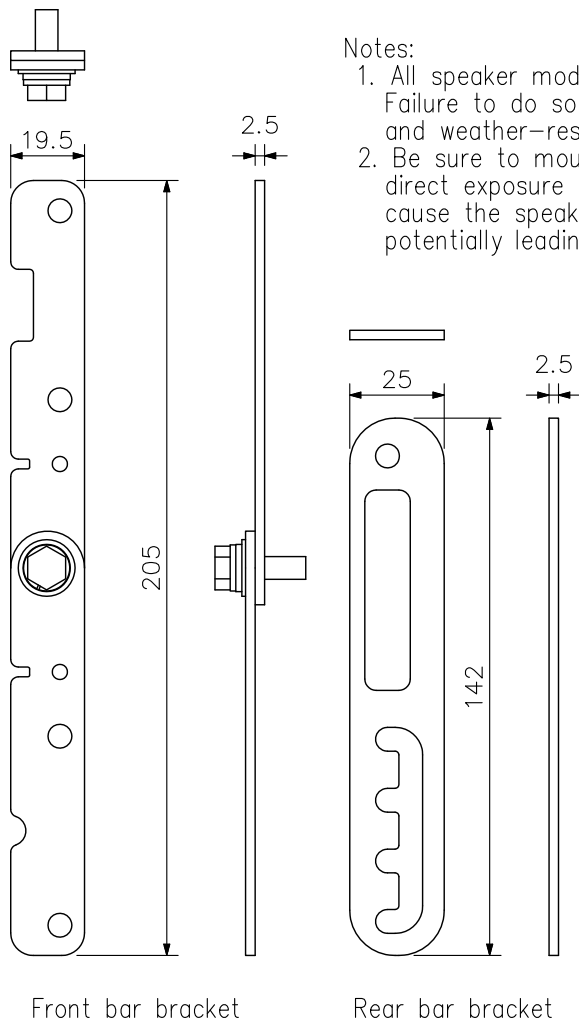
The HY-CN1B-WP is used to join 2 HX-5 series speaker systems, typically for the purpose of achieving better speaker directivity control in lower frequencies. Such directivity control helps achieve clearer and longer-rangesound reproduction in locations where sound efficiency may be hampered by conditions like long reverberation time or a high level of background noise. This bracket is designed for under-eave use.

SPECIFICATIONS

Installation Environment	Indoor installation, under-eave installation (*1)
Finish	Stainless steel, black, semi-gloss, paint
Weight	200 g
Product Composition	Front bar bracket *2, Rear bar bracket *1

(*1) Avoid installing the speaker in locations close to the seashore or in indoor swimming facilities that are not well ventilated. In such locations, the bracket may be vulnerable to corrosion, eventually allowing the speaker to fall resulting in personal injury.

APPEARANCE



Speaker mounting example (scale: 1/10)

UNIT:mm SCALE:1/2