

DESCRIPTION

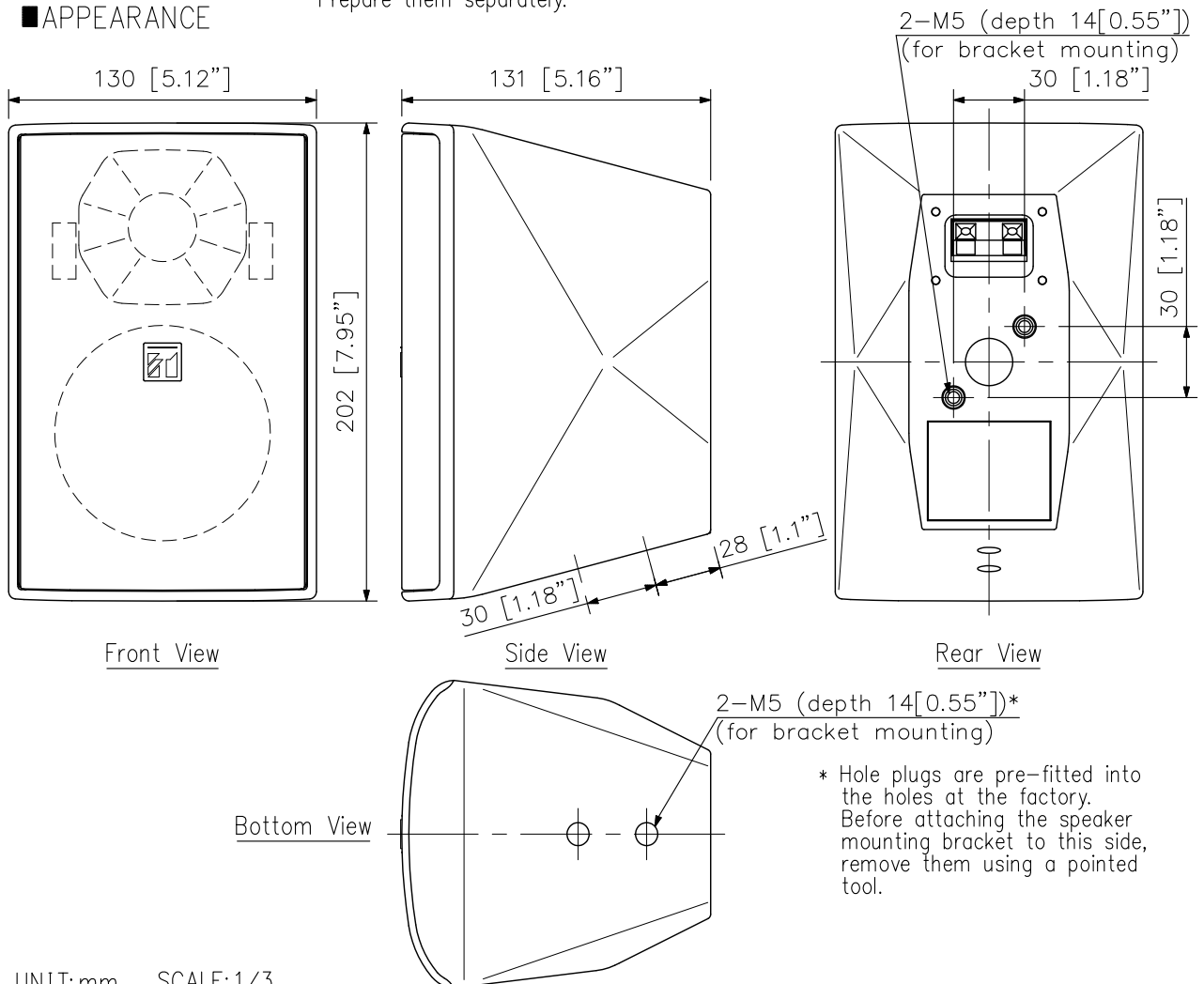
The F-1000 Series Speaker are compact two-way speaker systems designed for high efficiency, wide range, and high power input handling capability. These speaker systems can be installed in a manner ideal for the location and intended application.

SPECIFICATIONS

Enclosure	Bass-reflex type
Power Handling Capacity	Continuous pink noise: 30 W Continuous program: 90 W
Rated Impedance	8 Ω
Sensitivity	87 dB (1 W, 1 m) at installation in 1/2 free sound field
Frequency Response	85 - 20,000 Hz, -10 dB at installation in 1/2 free sound field
Crossover Frequency	5 kHz
Directivity Angle	Horizontal: 90°, Vertical: 90°
Speaker Component	Low frequency: 10 cm (4") cone-type High frequency: Balanced dome tweeter
Input Terminal	Push-in terminal
Finish	Enclosure: HIPS, white Punched net: Surface-treated steel plate, white, paint Joint bracket, wall bracket: Steel plate, t1.6, white, paint Speaker bracket: Die-cast aluminum, white, paint
Dimensions	130 (W) × 202 (H) × 131 (D) mm (5.12" × 7.95" × 5.16")
Weight	1.8 kg (3.97 lb) (including the supplied brackets)
Accessory	Speaker bracket ×1, Joint bracket ×1, Wall bracket ×1, Bracket fixing screw ×1 set
Option	Board hanger bracket: HY-BH10B Ceiling mount bracket: HY-CM10W (used for the horizontal speaker mounting) Cluster bracket: HY-CL10B Speaker stand: ST-16A

Note: Bolts and nuts for mounting the bracket to the wall or ceiling are not included. Prepare them separately.

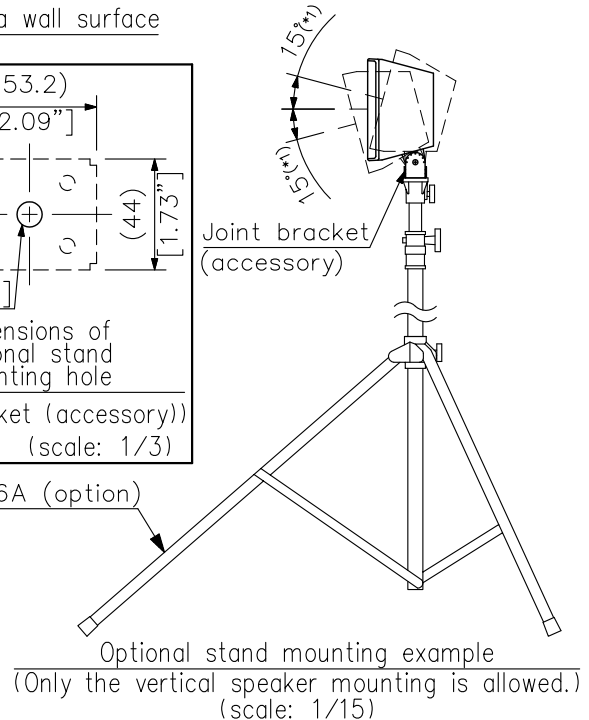
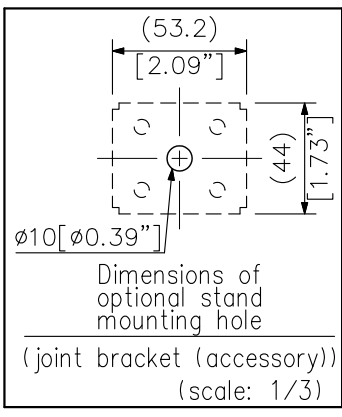
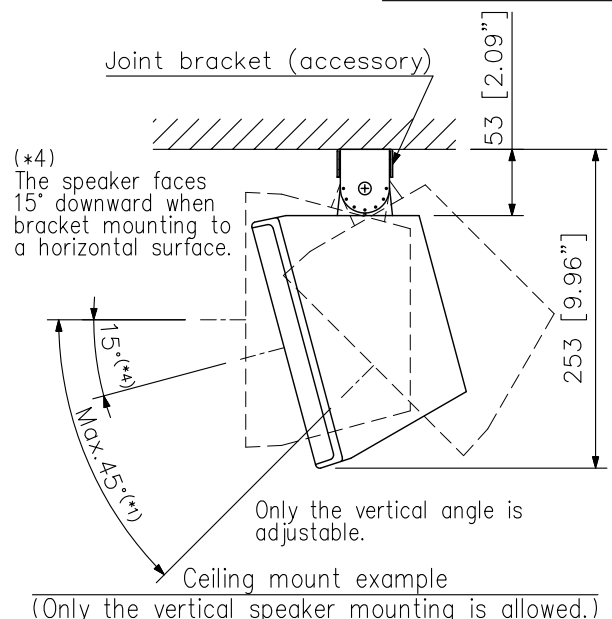
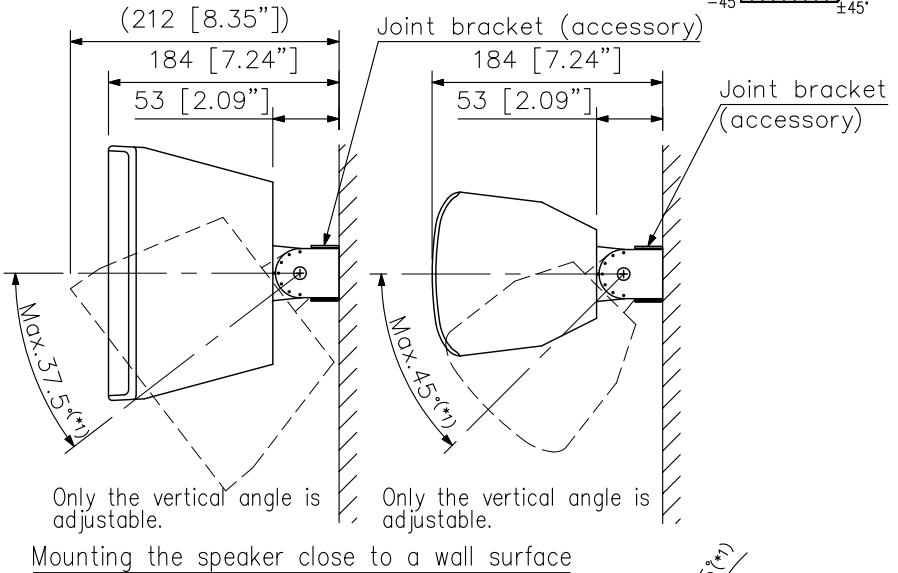
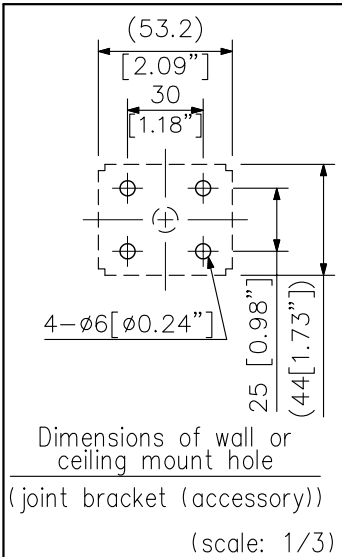
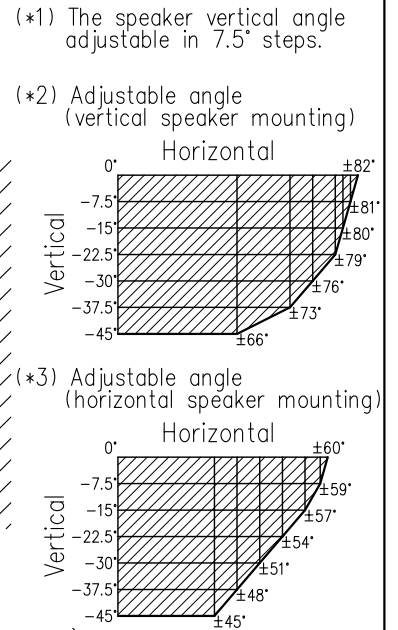
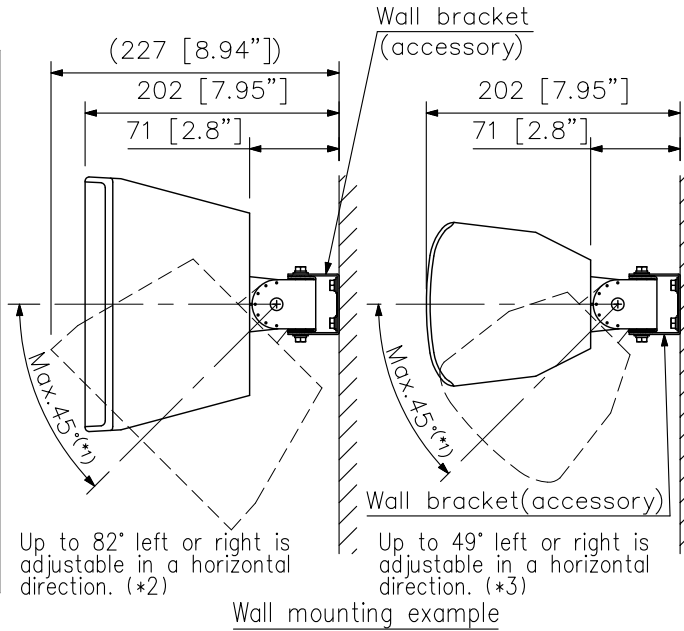
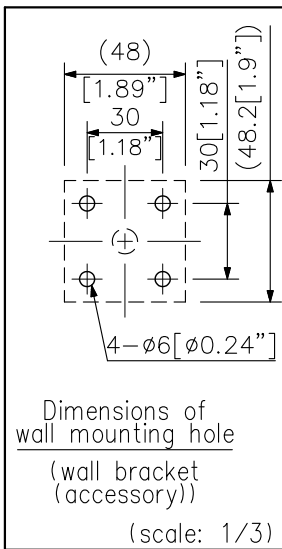
APPEARANCE



* Hole plugs are pre-fitted into the holes at the factory. Before attaching the speaker mounting bracket to this side, remove them using a pointed tool.

UNIT:mm SCALE:1/3

■ APPEARANCE



UNIT:mm SCALE:1/6