

DESCRIPTION

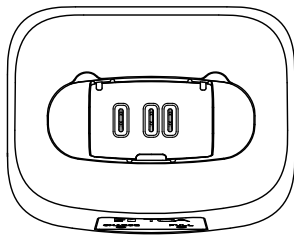
The IR-310BC is a dedicated battery charger for IR-310M Infrared Wireless Microphone. It employs a quick charging system for one IR-200BT, a nickel metal hydride (Ni-MH) battery to be fully charged within 3 hours.

SPECIFICATIONS

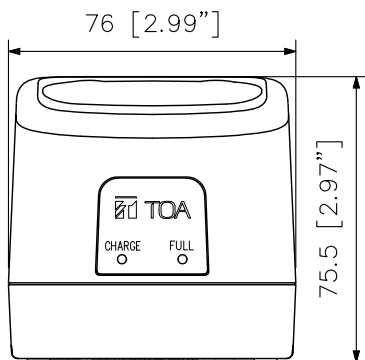
Power Supply	AC mains, 50/60 Hz (use of the supplied AC adapter)
Power Consumption	Max. 2 A
Charging Time	Max. 3 h
Number of Wireless Microphones to be Charged Simultaneously	1 Piece
Indicator	Charging Status LED x 2
Operation Temperature	0 °C to +40 °C (32 °F to 104 °F)
Operation Humidity	90 %RH or less (no condensation)
Finish	Control section: PPE resin, White
Dimensions	76 (W) x 75.5 (H) x 60 (D) mm (2.99" x 2.97" x 2.36")
Weight	105 g (0.23 lb)
Accessory	AC adapter ...1, Power Cord ...1
Option	Ni-MH battery: IR-200BT-2 (containing 2 pieces)

Note that nickel metal hydride (Ni-MH) batteries other than the dedicated battery IR-200BT cannot be charged.

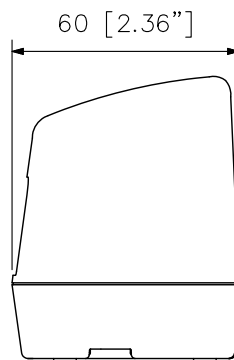
APPEARANCE



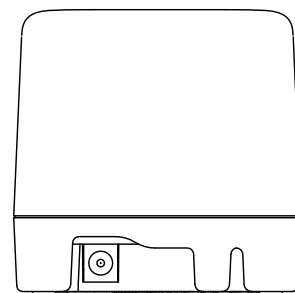
Top View



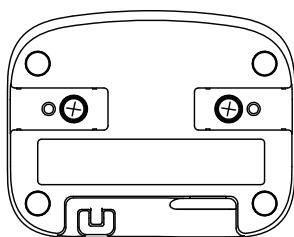
Front View



Side View



Rear View



Bottom View

Version	CE-GB	US
AC plug		

UNIT:mm SCALE:1/2