

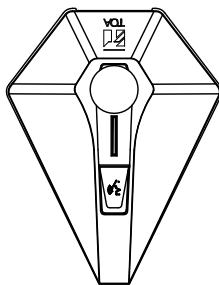
■DESCRIPTION

The TS-D1100-MC Microphone Unit is integrated with a gooseneck microphone, and specifically designed for use with TOA's TS-D1100 Series Digital Conference System, using CAT5e STP LAN cables.

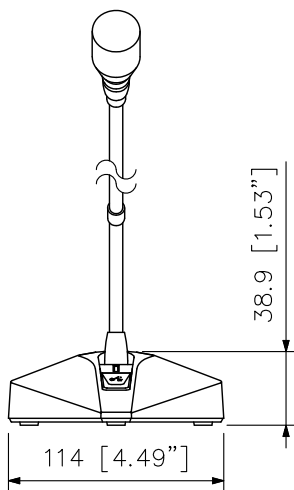
■SPECIFICATIONS

| | |
|-----------------------|---|
| Power Source | 24 V DC (supplied from the TS-D1100-MU Master control unit (option), TS-D1000-SU Sub control units (option), or TS-D1000-EX Extension units (option)) |
| Power Consumption | 0.4 W or less |
| Frequency Response | 100 Hz - 13 kHz |
| Signal to Noise Ratio | 65 dB or more (A-weighted) |
| Connecting Terminal | RJ45 connector ×2 |
| LED Indicator | Power/Speech indicator, indicator |
| Function | Speech function |
| Operating Temperature | 0 °C to +40 °C (32 °F to 104 °F) |
| Operating Humidity | 90 %RH or less (no condensation) |
| Finish | Shaft: Brass, black Case: ABS resin, black |
| Dimensions | 114 (W) × 516 (H) × 145.9 (D) mm (4.49" × 20.31" × 5.74") |
| Weight | 330 g (0.73 lb) |

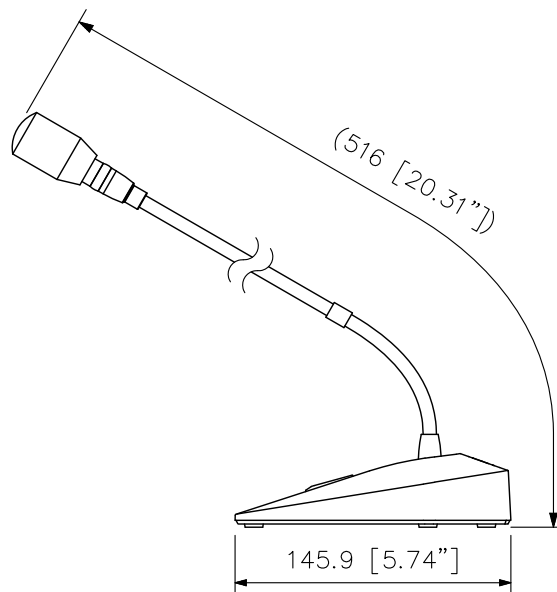
■APPEARANCE



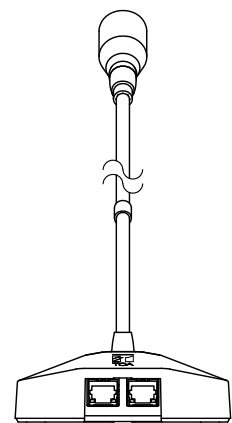
Top View



Front View



Side View



Rear View

UNIT:mm SCALE:1/4

Note: Numerical values in parentheses are for reference only.