

TOA FLUSH-MOUNT CEILING SPEAKER 6W CM-760/(EU) (Grille separation type)

DESCRIPTION

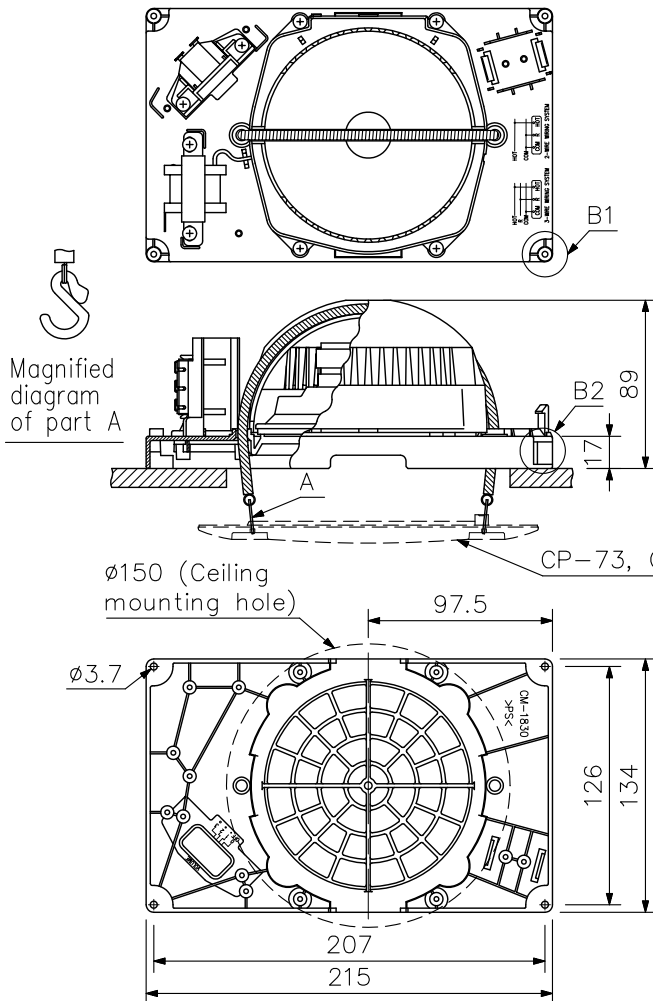
The CM-760 speaker allows selection of most suitable front panel out of the CP-70 series panels (optional) depending on the installation place. Thanks to its coil spring catch method, the panel can be easily attached to the speaker. The CM-760 comes with a push-in connector which permits instant wire connection for bridging and branch wiring. The speaker is protected by a hard speaker cover.

SPECIFICATIONS

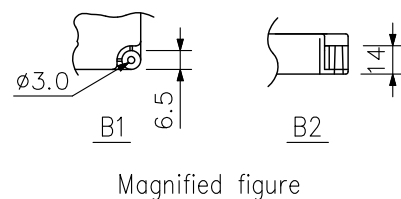
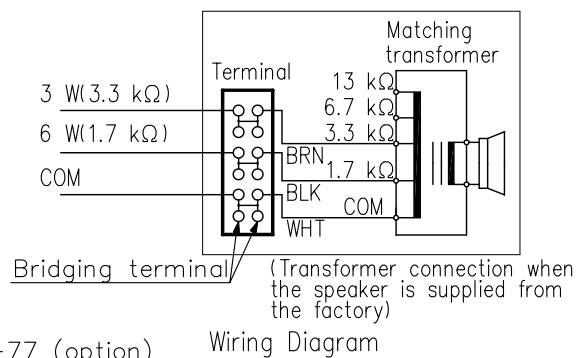
Rated Input	6 W
Rated Impedance	1.7 kΩ (6 W), 3.3 kΩ (3 W), (6.7 kΩ (1.5 W), 13 kΩ (0.8 W): Internal wiring must be changed)
Sound Pressure Level	90 dB (1 W, 1 m)
Frequency Response	100 Hz - 16 kHz
Speaker Component	12 cm dynamic cone-type speaker
Dimensions for Fixing Hole	∅150 (mounting hole) × 50 (ceiling thickness) mm
Speaker Mounting Method	Spring catch
Applicable Cables	600 V Vinyl-insulated cable (IV wire or HIV wire) Solid copper wire: ∅0.8 - ∅1.2 mm 7-core twisted copper wire: 0.75 - 1.25 mm ²
Connection	Push-in connector (Bridging and branch connections possible.)
Finish	Grille: Fire-resistant, high-impact styrene resin (resin material grade: UL94 V-0 or its equivalent), black
Dimensions	215 (W) × 134 (H) × 89 (D) mm
Weight	630 g
Applicable Panel	CP-70 series panel (option): CP-73, CP-77

[Note] Do not use the speaker with heat insulating material sound absorbing material mounted. Ensure that the speaker is kept away from the heat insulating material.

APPEARANCE



[Note] The input power in the diagram below is based on 100-volt line. When using the speaker on 70-volt line, the impedance-to-input power is as follows: 1.7 kΩ (3 W), 3.3 kΩ (1.5 W), 6.7 kΩ (0.8 W), and 13 kΩ (0.4 W).



UNIT:mm SCALE:1/4

[Note] Use transformer terminals when changing input impedance.