

## ■ SPECIFICATIONS

Jack	Double pole jack
Usable Cable	Microphone vinyl cable with sectional area of 0.75 ~ 2.0 mm <sup>2</sup>
Usable Plate	YP-1AF
Usable Plug	Single or double pole plug
Finish	Cover : ABS resin (off white) Frame : Steel plate (t1.2)
Dimensions(WXHXD)	45(1.77") x 110(4.33") x 48.1(1.89") mm
Weight	750 g (1.65 lb.)
Accessory	Screw M4 x 35.....2

※When routing a power or speaker line and a microphone line through the same electric box, provide a barrier between the two for insulation.

※For cables with sectional area of under 0.75 mm<sup>2</sup>, fold back their cores to increase the sectional area before making a connection.

※H(hot), C(cold), and E(ground) are shorted. Therefore, mixers or amplifiers using phantom power cannot be used.

## ■ APPEARANCE

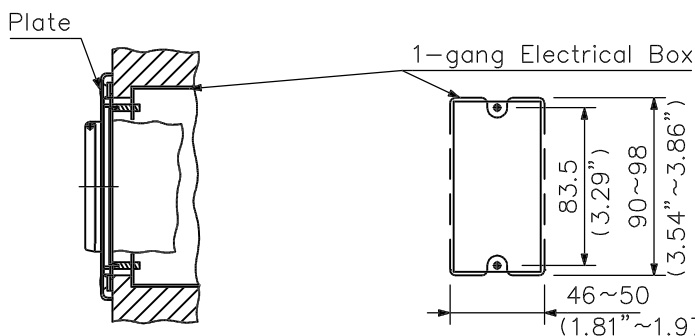
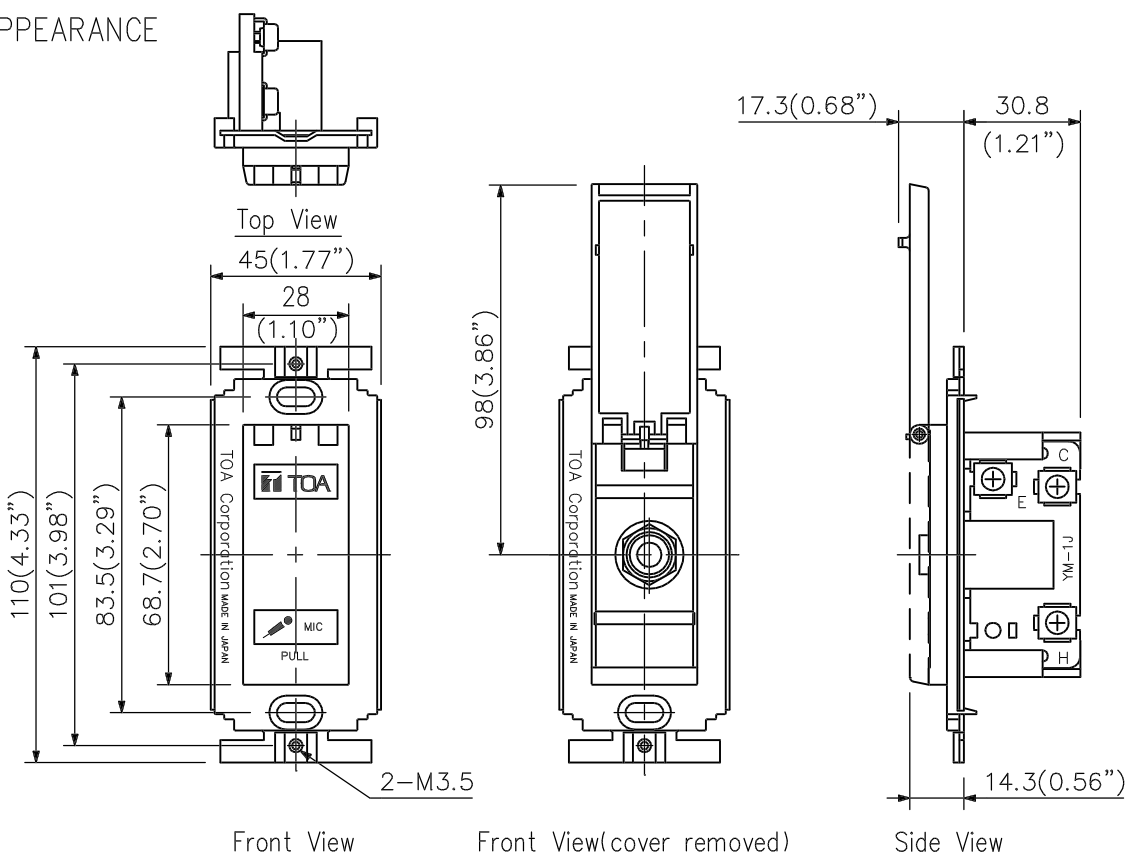
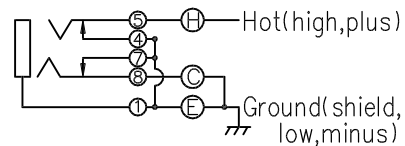


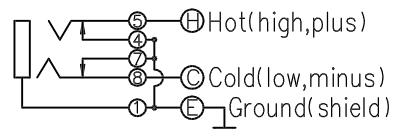
Figure when mounted

Dimensions of mounting opening

If the opening is too small or too large, the YM-1J cannot be mounted in the wall. Be sure to make an opening with dimensions given above when mounting.



Short (C) and (E)  
Connection of unbalanced single pole plug



Connection of balanced double pole plug

UNIT: mm SCALE: 1/2