

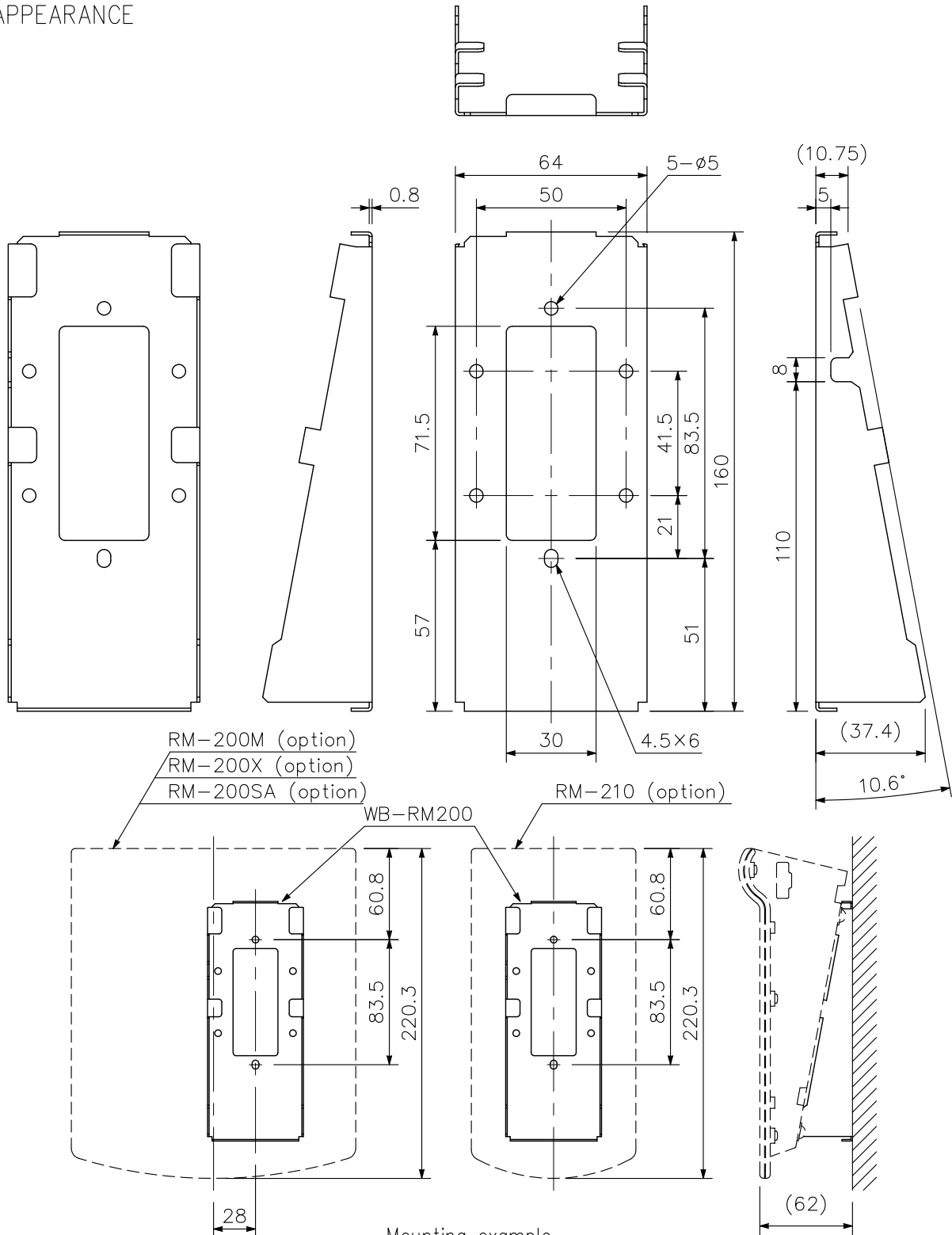
### DESCRIPTION

The WB-RM200 is to mount RM-200X, RM-200M, RM-200SA and RM-210 on the wall.

### SPECIFICATIONS

Finish	Surface-treated steel plate, black, paint
Weight	100 g
Set Composition	Mount bracket ×1
Accessory	Rack mounting screw ×1 set
Usable Unit	RM-200X, RM-200M, RM-200SA, RM-210

### APPEARANCE



UNIT:mm SCALE:1/2

Mounting example  
(SCALE:1/4)