

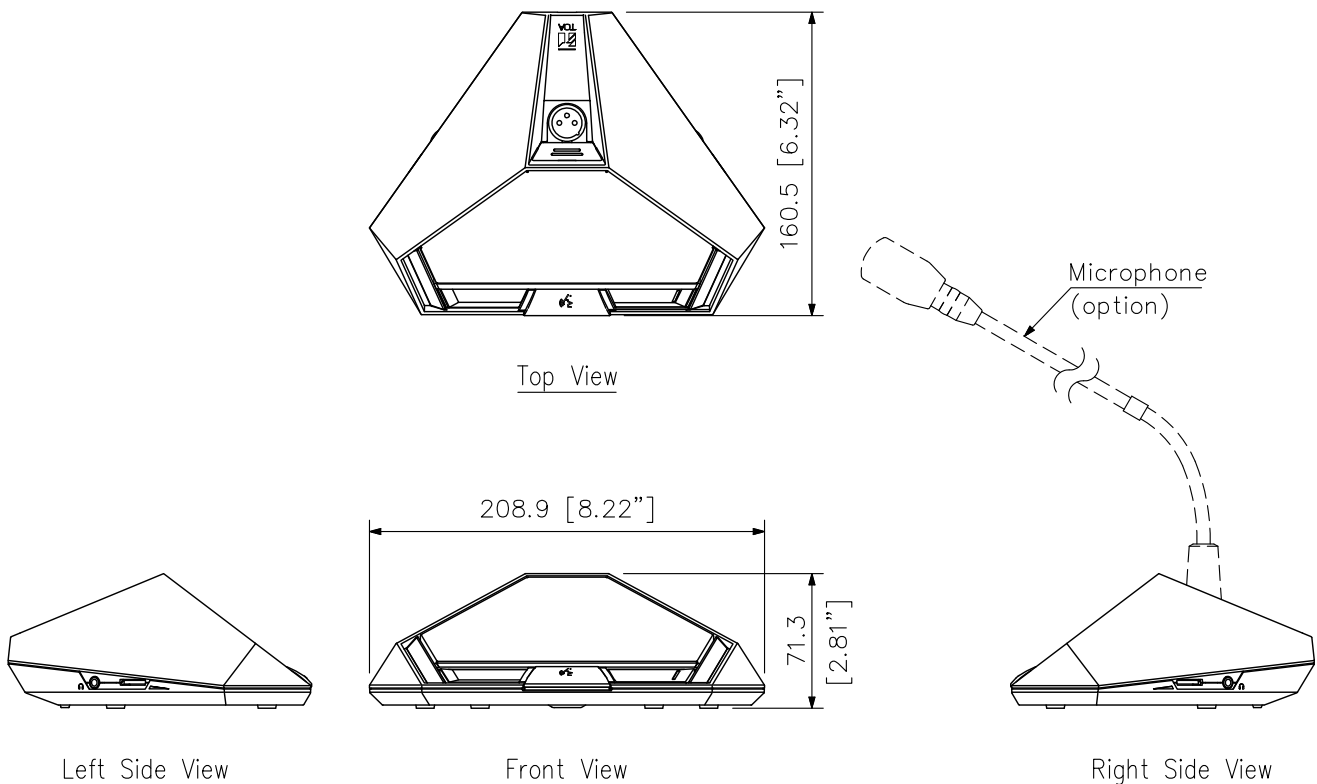
■DESCRIPTION

The Digital conference system's dedicated TS-D1000-DU Delegate unit can be instantly used by simply connecting it to the TS-D1000-MU or TS-D1100-MU Master control unit using CAT5e STP LAN cables. It can also be optionally equipped with either the TS-D1000-M1 Standard microphone or the TS-D1000-M2 Long microphone.

■SPECIFICATIONS

|                       |  |
|-----------------------|--|
| Power Source          | 24 V DC (supplied from the TS-D1000-MU Master control unit (option), TS-D1100-MU Master control unit (option), TS-D1000-SU Sub control units (option) or TS-D1000-EX Extension units (option)) |
| Power Consumption     | 1.5 W or less  |
| Signal to Noise Ratio | 65 dB or more (A-weighted)   |
| Input                 | Microphone terminal: XLR-3-31 type   |
| Output                | Monitor speaker: 8 Ω, 0.4 W<br>Earphone: ø3.5 mm mini Jack (3P:monaural) ×2  |
| Speaker Output        | 75 dB SPL  |
| Connecting Terminal   | RJ45 connector ×2  |
| LED Indicator         | Power indicator, Speech indicator  |
| Function              | Speech function, Earphone volume control (×2)  |
| Operating Temperature | 0 °C to +40 °C (32 °F to 104 °F)   |
| Operating Humidity    | 90 %RH or less (no condensation)   |
| Finish                | Case: ABS resin, black, mat finish, paint<br>Speaker net: Steel plate, black, mat finish, paint  |
| Dimensions            | 208.9 (W) × 71.3 (H) × 160.5 (D) mm (8.22" × 2.81" × 6.32")  |
| Weight                | 875 g (1.93 lb)  |
| Option                | Standard microphone: TS-D1000-M1<br>Long microphone: TS-D1000-M2   |

■APPEARANCE



UNIT:mm SCALE:1/4