

■ SPECIFICATIONS

Product Composition	Handheld wireless microphone ...1, Wireless transmitter ...1, Receiver ...1 Lavalier microphone ...1
Frequency Range	694 - 806MHz(*1), UHF
Channel Selectable	Up to 16 channels (depending on region)
Tunable Frequencies	25kHz Steps
Tone Frequency	32.768kHz
Total Harmonic Distortion	<1% @ 1kHz
Function	IR sync, Channel scan, Battery indicator
Accessory	Microphone holder ...1, Screw driver ...1, Lavalier microphone ...1

Wireless microphone

Microphone Element	Dynamic with cardioid pattern
RF Carrier Power	10mW
Audio Frequency Response	80 - 15000 Hz
Maximum Input Level	140dB SPL (maximum)
Oscillator	PLL synthesizer
Battery	1 AA size alkaline battery, 1.5 V
Battery Life	Approx. 10 hours
Indication	Battery status LED, 7 segments LED
Finish	Resin, coating
Dimensions	approx. 250 x 50 mm
Weight	approx. 245 g (with battery)

Wireless transmitter

Microphone Element	Back electret condenser; Omni-directional
RF Carrier Power	10mW
Audio Frequency Response	50 - 15000 Hz
Maximum Input Level	-6dBV (maximum), mic gain 0dB
Oscillator	PLL synthesizer
Battery	1 AA size alkaline battery, 1.5 V
Battery Life	Approx. 10 hours
Indication	Battery status LED, 7 segments LED
Finish	Resin, coating
Dimensions	62(W) x 100(H) x 25(D) mm (with clip)
Weight	approx. 85 g (with battery)

Dual wireless receiver

Power Source	AC mains (supplied AC-DC adapter must be used)
Sensitivity	10uV at 45dBA S/N
Squelch System	Tone SQ, Carrier SQ, Noise SQ
Audio Frequency Response	50 - 15000Hz
Audio Output Level (Maximum)	Balanced (XLR socket) : 16dBu Un-balanced (1/4" jack socket) : 10dBu
Power Consumption	11-18 VDC 500mA
Dimensions	210(W) x 44(H) x 202(D) mm (excluding antenna)
Weight	720g
Option	Mounting bracket kit: MB-WT3 (for rack mounting one Dual Wireless Receiver) MB-WT4 (for rack mounting two Dual Wireless Receiver)

(*1)

Band	Frequency
A	694 - 703 MHz, UHF
B	748 - 758 MHz, UHF
C	803 - 806 MHz, UHF

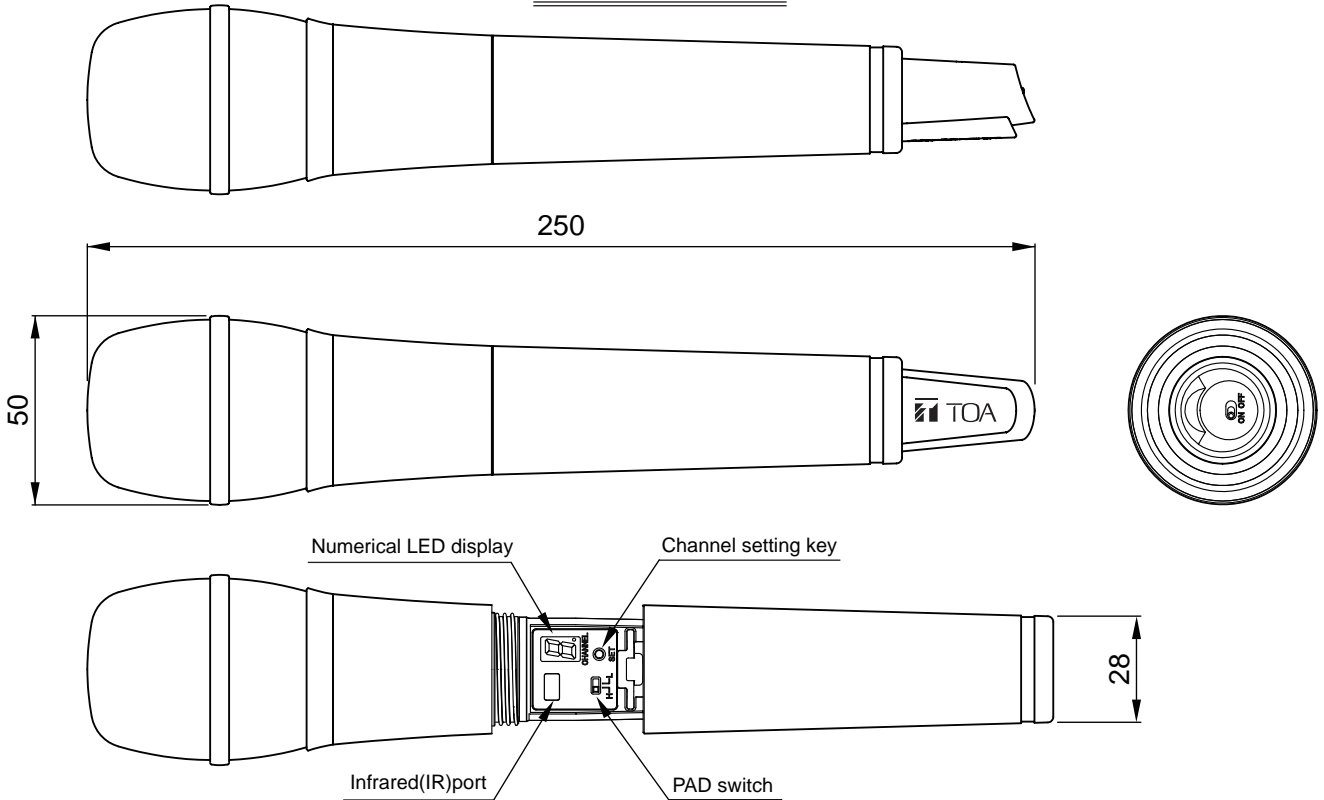


■ APPEARANCE

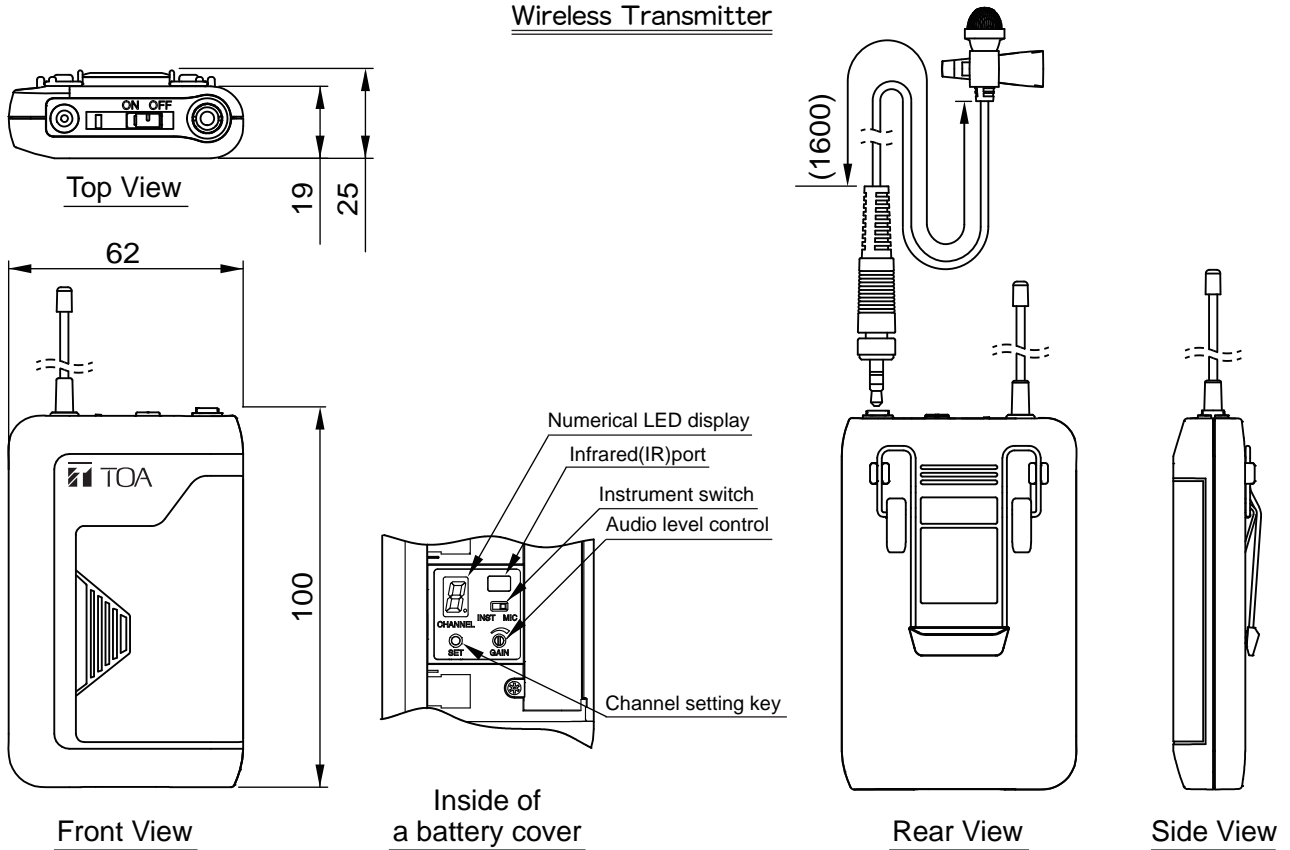
Dual Wireless set

WS-402-AS	WA2D00
WS-402-AS	EB8D00
WS-402-AS	EC3D00

Wireless Microphone



Wireless Transmitter



UNIT: mm

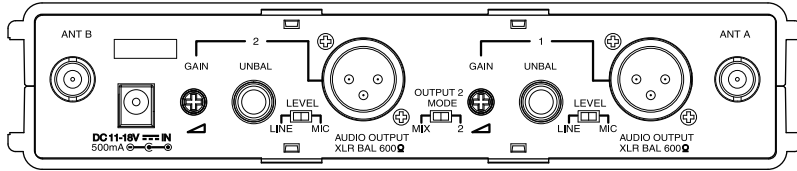


■ APPEARANCE

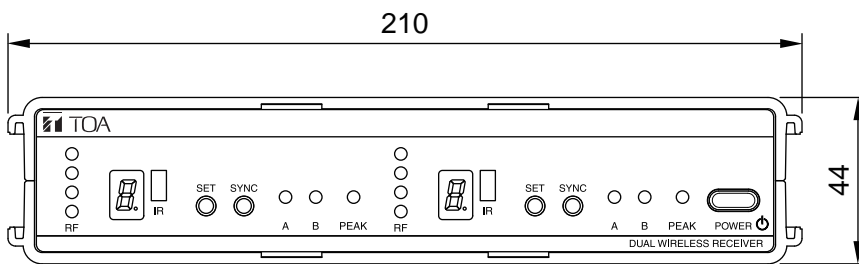
Dual Wireless set

WS-402-AS WA2D00
WS-402-AS EB8D00
WS-402-AS EC3D00

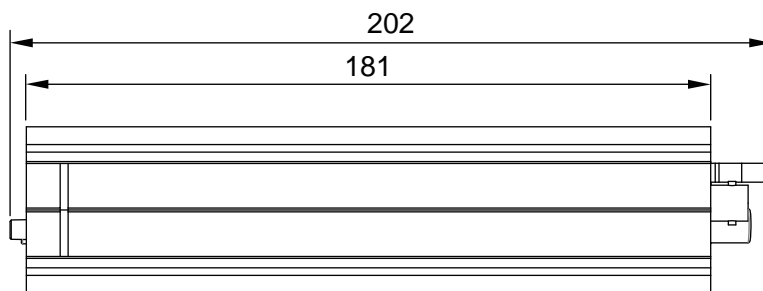
Dual Wireless Receiver



Rear View



Front View



Side View

UNIT: mm