

# TOA CEILING MOUNT FIRE DOME SPEAKER PC-1867F/(EU)

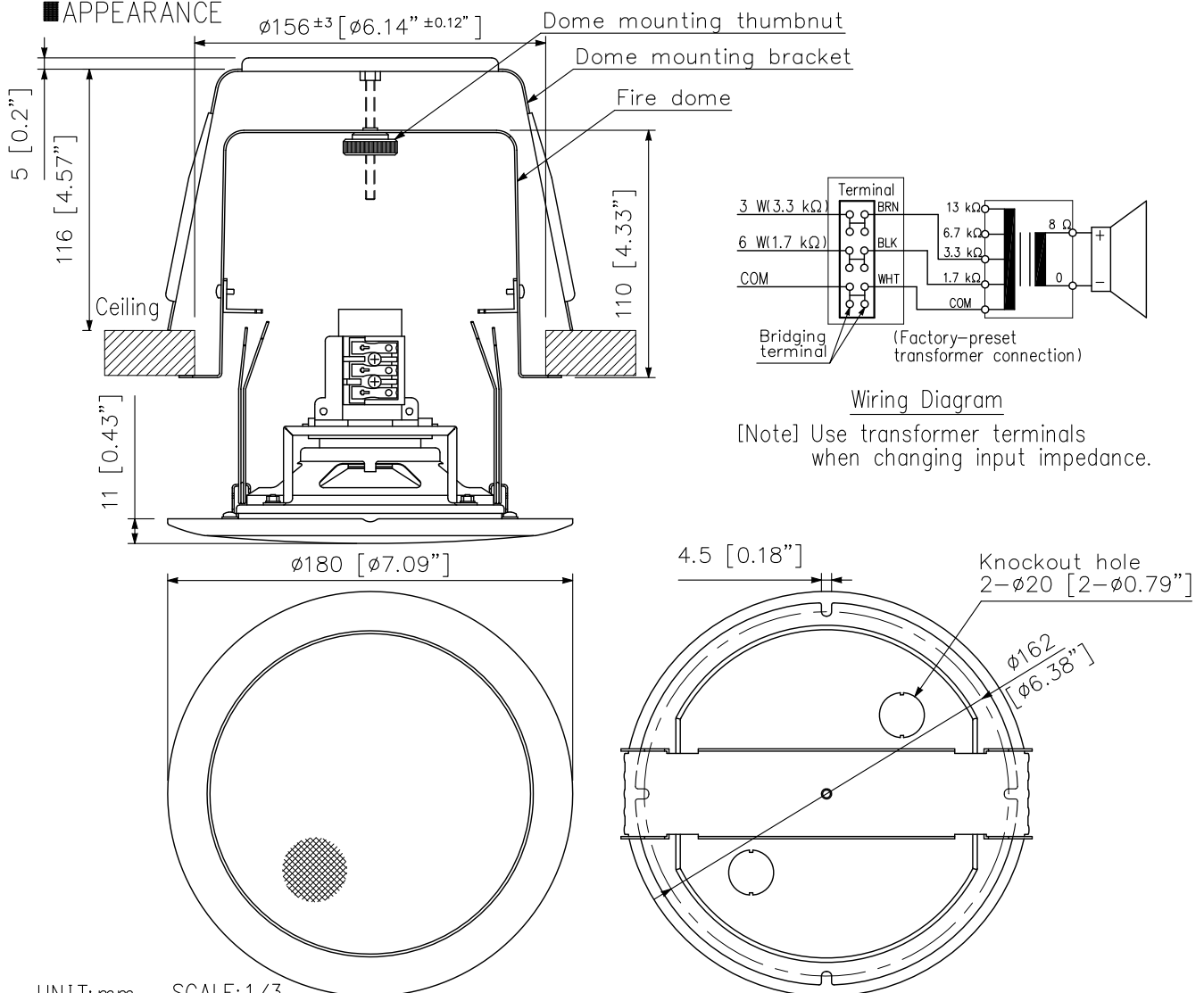
## DESCRIPTION

The PC-1867F Ceiling Mount Speaker features an iron-made dome that prevents the fire from spreading in the ceiling in case of an emergency situation. The speaker can be easily installed using the speaker mounting spring, and the dome can also be easily mounted in the speaker mounting hole in the ceiling panel. The push-in connector permits one-touch cable connection, as well as bridging and branch wiring.

## SPECIFICATIONS

Rated Input	6 W (for 100 V Line), 3 W (for 70 V Line)
Rated Impedance	100 V line: 1.7 k $\Omega$ (6 W), 3.3 k $\Omega$ (3 W) (6.7 k $\Omega$ (1.5 W), 13 k $\Omega$ (0.8 W): Internal wiring must be changed) 70 V line: 1.7 k $\Omega$ (3 W), 3.3 k $\Omega$ (1.5 W) (6.7 k $\Omega$ (0.8 W), 13 k $\Omega$ (0.4 W): Internal wiring must be changed)
Sound Pressure Level	90 dB (1 W, 1 m), 330 Hz - 3,3 kHz Pink noise
Frequency Response	100 Hz - 16 kHz (without fire dome)
Speaker Component	12 cm (5") cone-type
Dimensions for Fixing Hole	$\phi 156 \pm 0.3$ (mounting hole) $\times$ 30 (maximum ceiling thickness) mm ( $\phi 6.14 \pm 0.12 \times 1.18$ ")
Speaker Mounting Method	Spring catch
Applicable Cable	Solid copper wire: $\phi 0.8 - \phi 1.6$ mm (AWG 20 - 14) 7-core twisted copper wire: 0.75 - 1.25 mm <sup>2</sup> (AWG 18 - 16)
Connection	Push-in connector (Bridging terminal-2 branch type)
Finish	Baffle: Aluminum, white (RAL 9016 equivalent), paint Grille: Aluminum net, white (RAL 9016 equivalent), paint Dome mounting bracket: Steel plate, trivalent chromate treatment plating Fire dome: Steel plate, black, painting
Dimensions	$\phi 180 \times 11$ (exposed section) + 110 (D) mm ( $\phi 7.09 \times 0.43 + 4.33$ ")
Weight	1.4 kg (3.09 lb) (bracket, fire dome included)
Accessory	Rubber grommet .....2, Paper pattern .....1

## APPEARANCE



UNIT: mm SCALE: 1/3