

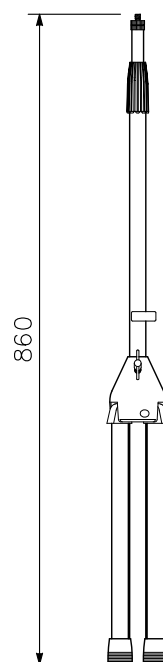
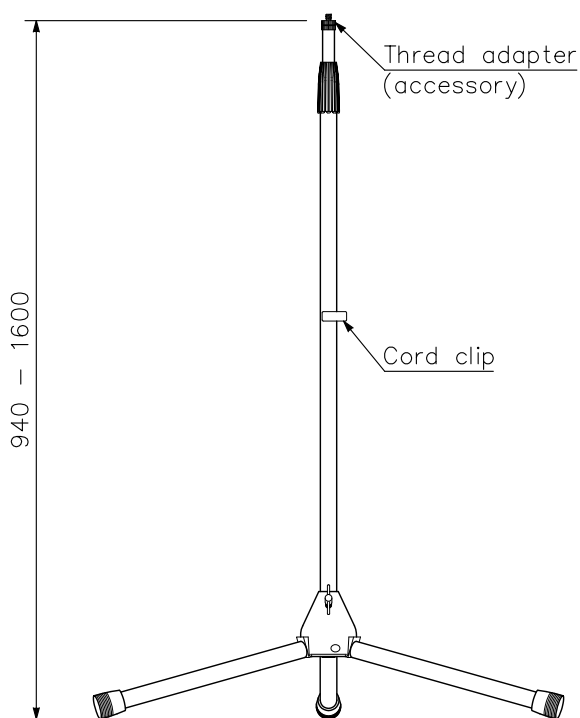
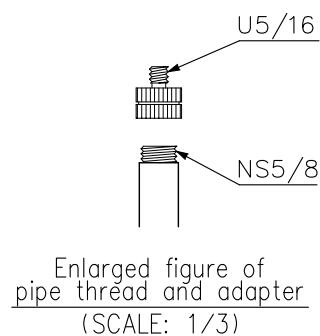
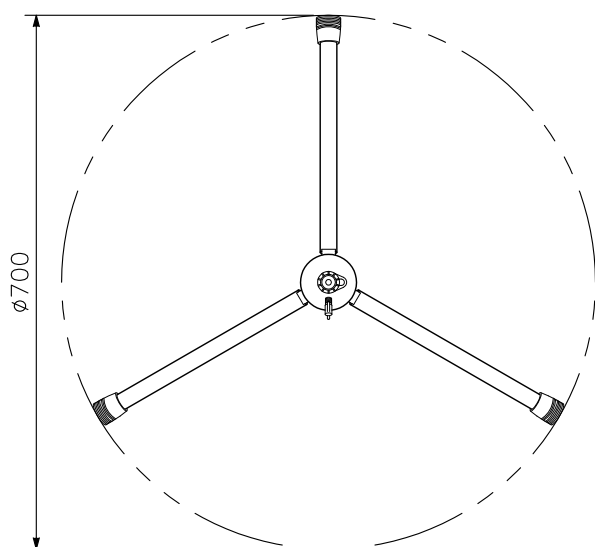
DESCRIPTION

The ST-303A is a 2-step height adjustment, collapsible legs, mobile microphone stand.

SPECIFICATIONS

| | |
|-----------------------------|--|
| Effective Extensible Length | 940 - 1600 mm |
| Mounting Screw | U5/16 (Adapter), NS5/8 (Pipe thread) |
| Finish | Steel pipe for general use, chrome plating |
| Weight | 1.7 kg |
| Accessory | Thread adapter ...1 |

APPEARANCE



UNIT: mm SCALE: 1/10