

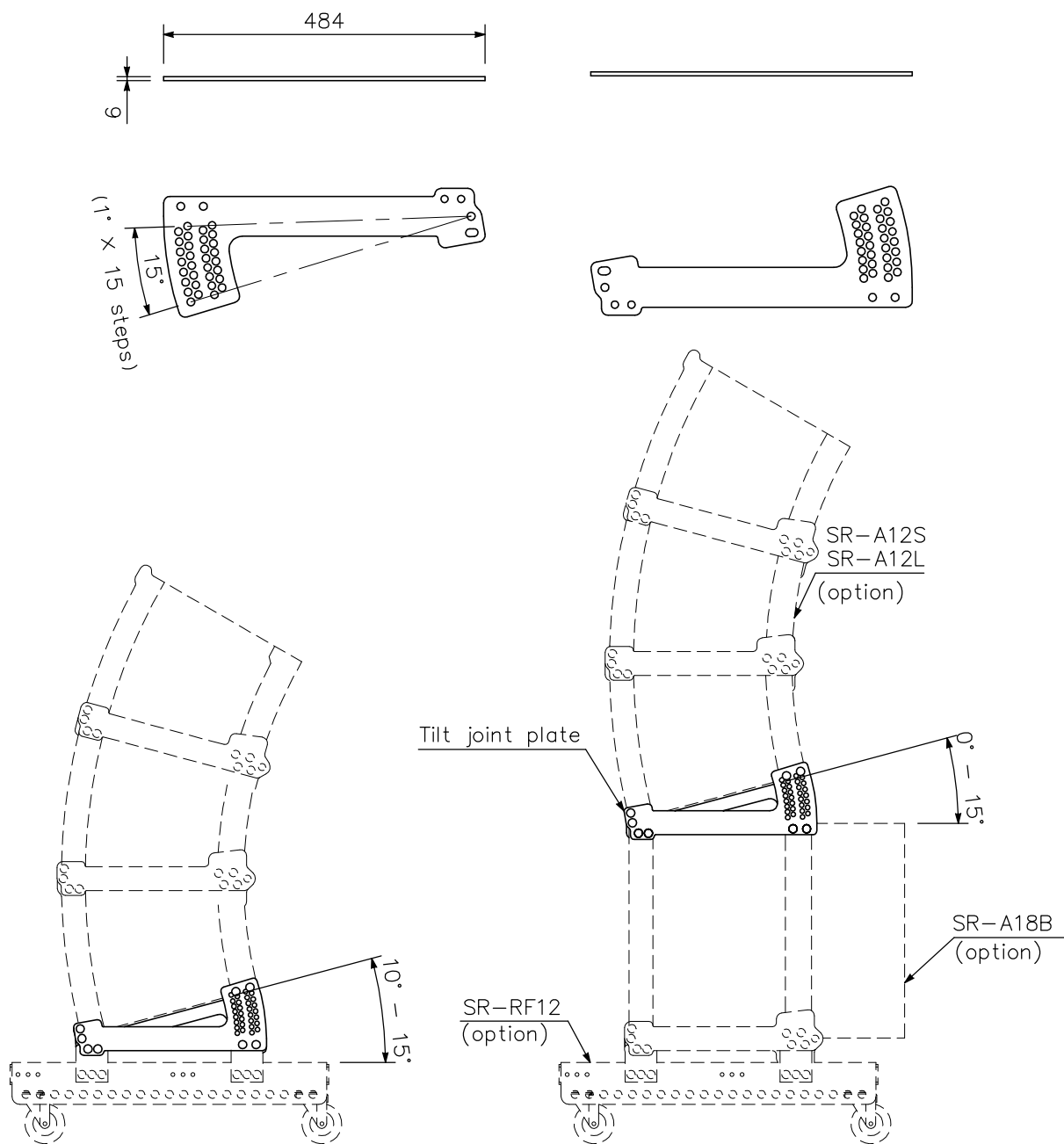
DESCRIPTION

The SR-TP12 Tilt joint plate is used to tilt the lowermost high box downward when stacking the SR-A12L or SR-A12S Line array speakers.

SPECIFICATIONS

Variable Angle Range to be Mounted	When mounted to the SR-A18B: 0° - 15° When mounted to the SR-RF12: 10° - 15°
Finish	Steel plate, black, paint
Weight	3.2 kg

APPEARANCE



Example of stacked system

Note: Casters are required by users

UNIT:mm SCALE:1/10