

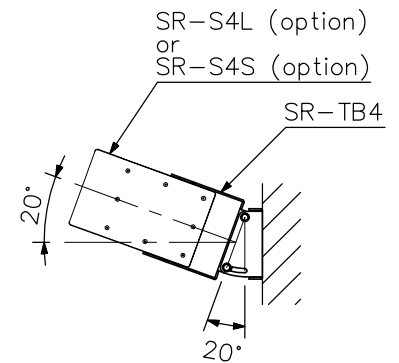
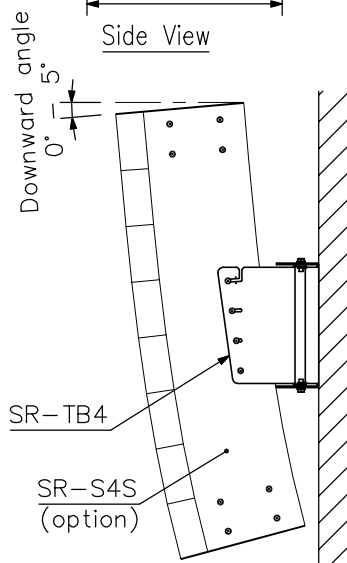
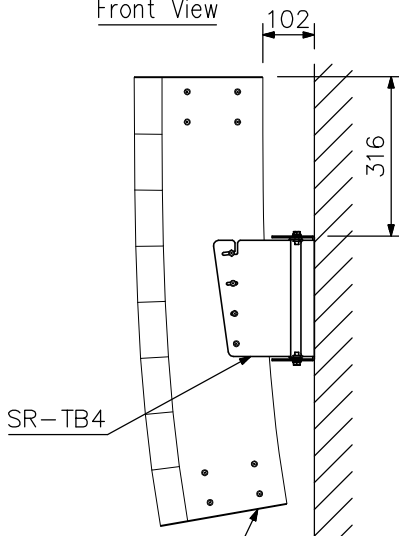
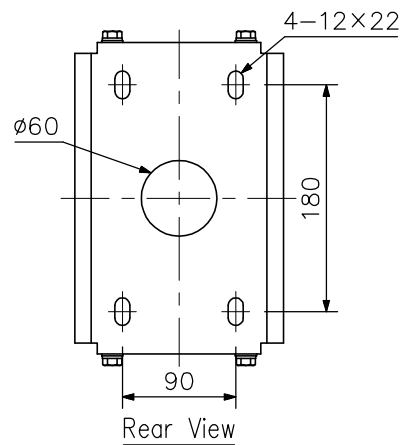
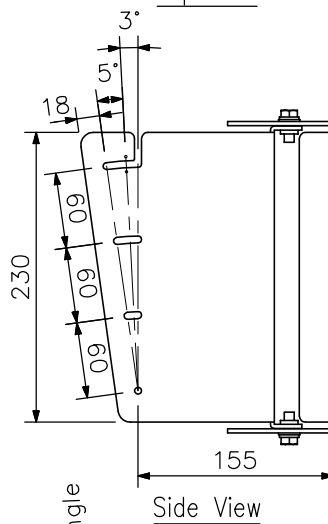
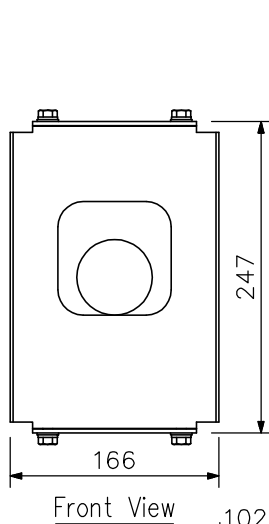
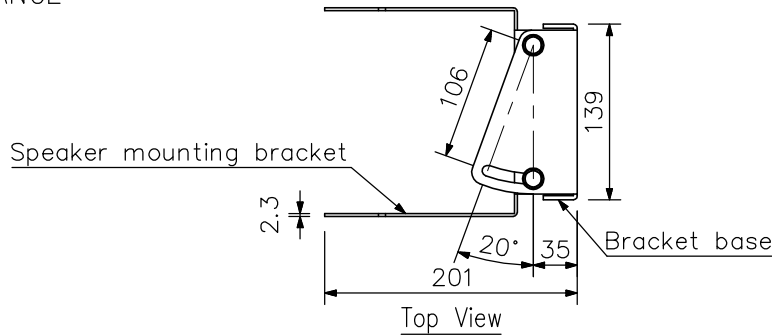
## DESCRIPTION

The SR-TB4 is designed to be used to mount the Line Array Speaker system SR-S4L or SR-S4S on a wall. The downward angle can be set to 0° - 5°, and the horizontal angle to up to 20°.

## SPECIFICATIONS

Number of Speakers to be Mounted	1
Finish	Steel plate, white, paint
Dimensions	166 (W) × 247 (H) × 201 (D) mm (complete assembly)
Weight	3.2 kg
Product Composition	Speaker mounting bracket ×1, Bracket base ×1
Accessory	Bracket assembling screw (M8 upset head) ×4, Speaker mounting screw (M5 upset head) ×8

## APPEARANCE



SR-S4L (option)  
or SR-S4S (option)

Note: When using the SR-S4S Line array speaker, it can be tilted downward at an angle of 0° - 5°.

(View from the top)  
Note: Installing the wall bracket shown in the figure permits the speaker to be tilted left at an angle of up to 20°. Reversing the top and bottom wall bracket positions shown in the figure permits the speaker to be tilted right at an angle of up to 20°.

Mounting example (scale: 1/15)

UNIT:mm SCALE:1/6