

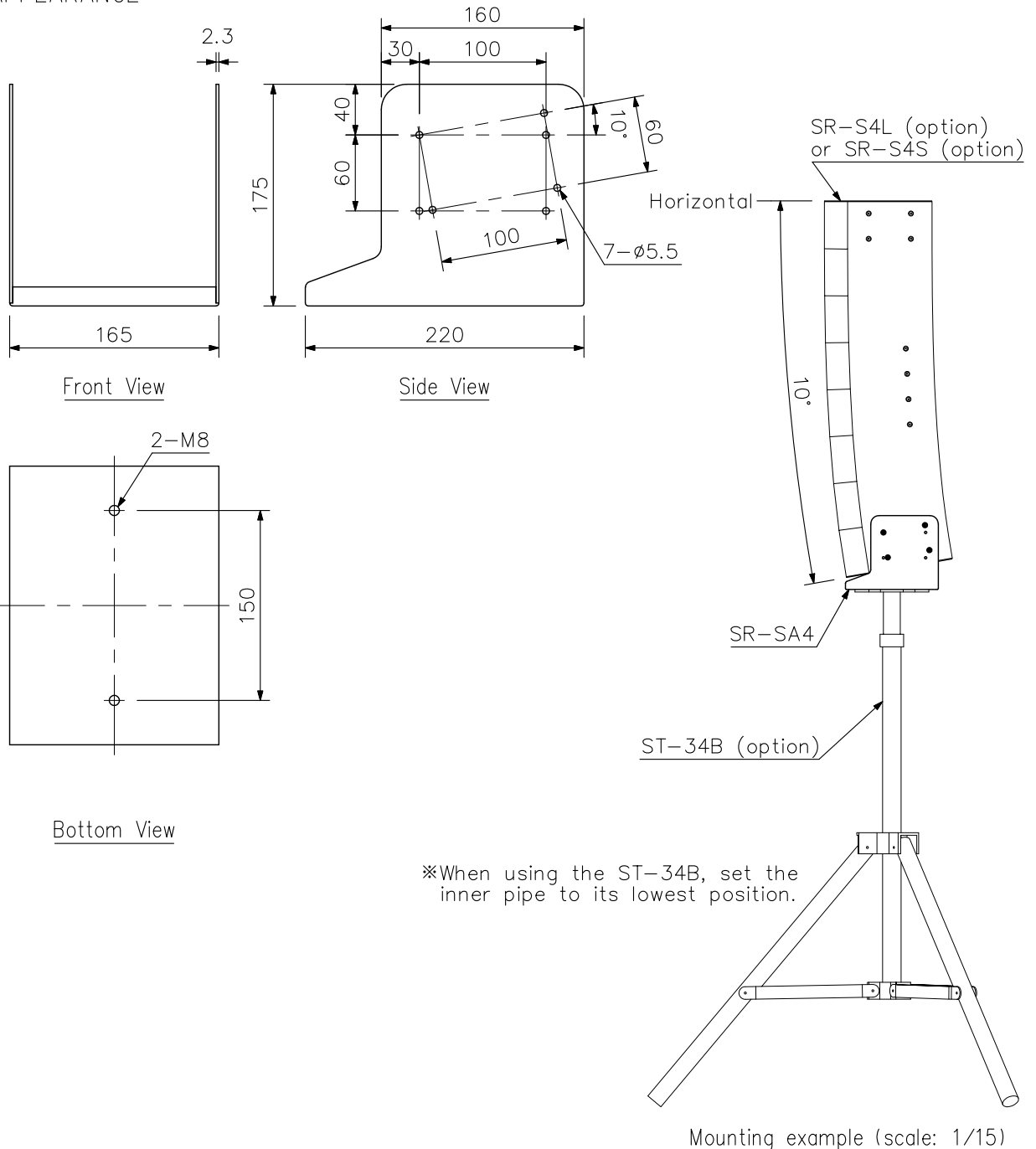
DESCRIPTION

The SR-SA4 is designed to be used to mount the Line Array Speaker system SR-S4L or SR-S4S on a speaker stand.

SPECIFICATIONS

| | |
|----------------------------------|---|
| Number of Speakers to be Mounted | 1 |
| Finish | Steel plate, white, paint |
| Dimensions | 165 (W) × 175 (H) 220 (D) mm |
| Weight | 1.7 kg (including accessories) |
| Accessory | Speaker mounting screw (M5 upset head) ×8 |
| Applicable stand | ST-34B (option) |

APPEARANCE



※When using the ST-34B, set the inner pipe to its lowest position.

Mounting example (scale: 1/15)

UNIT:mm SCALE:1/5