

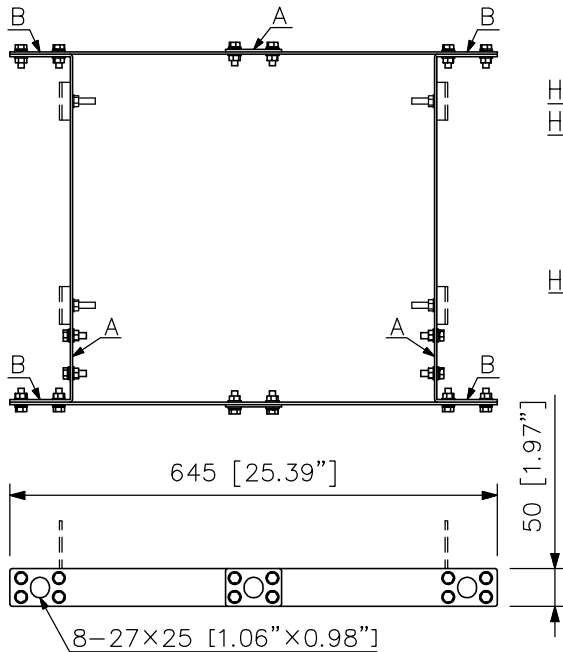
### DESCRIPTION

The HY-PF7W is used exclusively to suspend the HX-7W speaker system from the ceiling. The FB-150W Subwoofer can be suspended using this frame and the frame's supplied mounting brackets.

### SPECIFICATIONS

Finish	Steel plate, white, semi-gloss, paint
Dimensions	645 (W) × 50 (H) × 472 (D) mm (25.39" × 1.97" × 18.58") (excluding projection)
Weight	4 kg (8.82 lb)
Accessory	Subwoofer mounting bracket *1 set, Bracket mounting bolt *1 set

### APPEARANCE



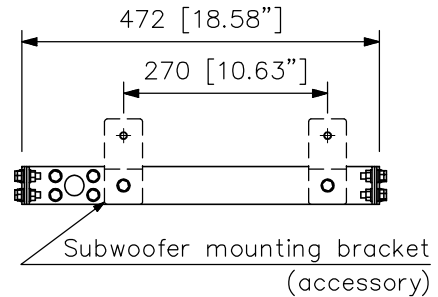
Hanging the HX-7W

Hanging the HX-7W with the FB-150W mounted

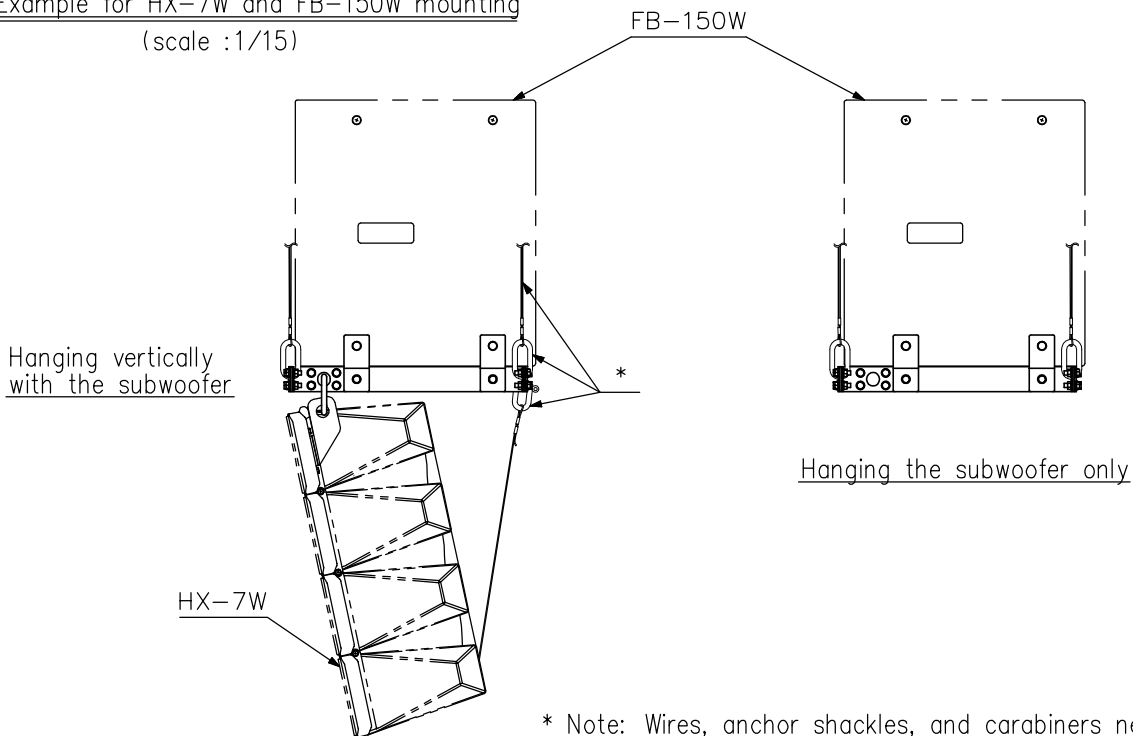
Holes A are used for hanging between the HY-PF7W and the HX-7W (3-point hanging), and Holes B for hanging between the HY-PF7W and the ceiling (4-point hanging).

Hanging the FB-150W

Holes B are used for hanging between the HY-PF7W and the ceiling (4-point hanging).



Example for HX-7W and FB-150W mounting  
(scale :1/15)



UNIT:mm SCALE:1/10

\* Note: Wires, anchor shackles, and carabiners necessary for hanging are not supplied with the product.