

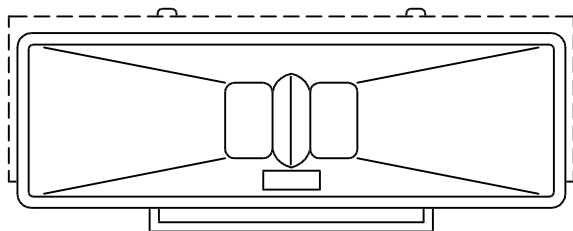
DESCRIPTION

The SC-240 speaker ensures uniform dispersion of intelligible sounds thanks to an aluminum die casting, directional speaker. It is ideal for making public address announcements from a car or for other applications that require wide horizontal directivity, such as outdoor sound amplification.

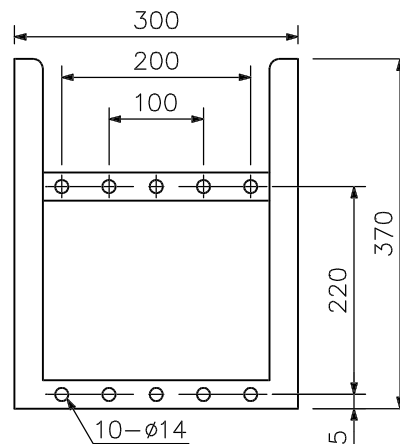
SPECIFICATIONS

Rated Input	240 W
Rated Impedance	8 Ω × 4
Sound Pressure Level	107 dB (1 W, 1 m)
Frequency Response	250 - 5,000 Hz
Adjustable Angle Range	Vertical: 8.5 ° upward, 14 ° downward
Required Terminals	∅21 mm /2-pin round connector
Ambient Temperature	-20 °C to +55 °C
Finish	Horn: Aluminum die casting, ivory Cover: Surface treated steel plate, ivory Driver unit case: Weatherproof ABS resin Bracket: Equal angle steel, ivory Horn mounting bolts: Dichromate-plated iron
Dimensions	598 (W) × 251 (H) × 654 (D) mm
Weight	28 kg
Accessories	Driver unit case.....1, Connection cord: YR-2120.....4
Speaker Input Method	∅21 mm /2-pin receptacle

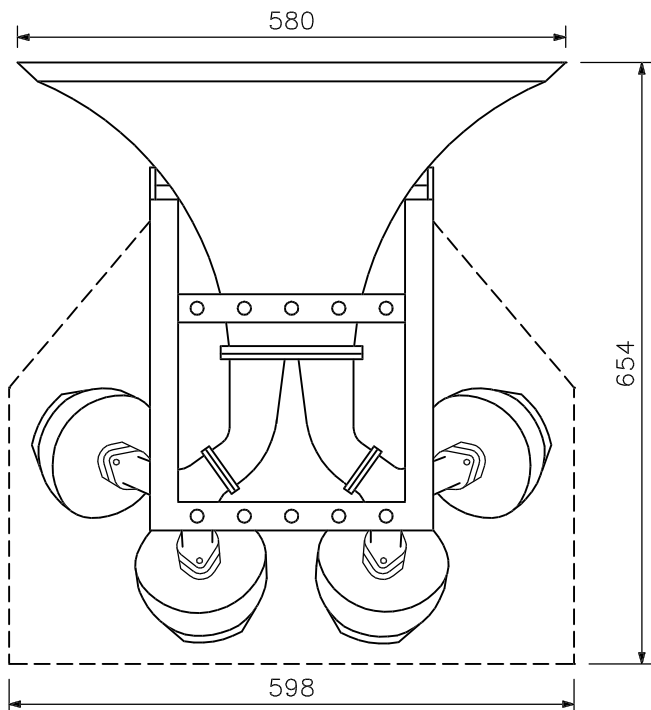
APPEARANCE



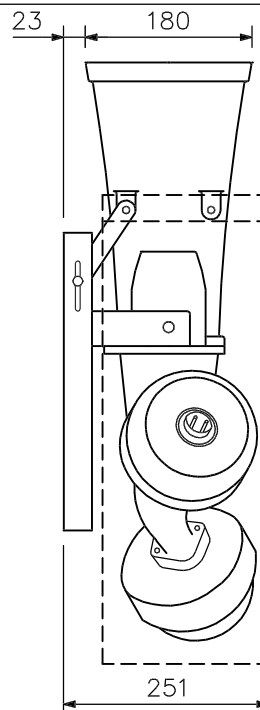
Front View



Bracket dimensional diagram



Bottom View



Side View

UNIT:mm SCALE:1/8