

DESCRIPTION

The HX-7W-WP is a 2-way compact speaker system that permits both constant directivity control over a wide frequency range and changes in vertical directivity. Its adopted wave front control technology is ideal, for reproducing clear sound in spaces with long reverberation times or high background noise. The speaker's splash-proof (IPX4) construction permits it to be installed under the eaves where the speaker is not directly exposed to rain.

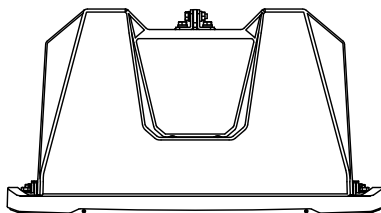
SPECIFICATIONS

Enclosure	Sealed type
Power Handling Capacity	Continuous pink noise: 250 W (IEC60268-5: 350 W), Continuous program: 750 W
Rated Impedance	8 Ω
Sensitivity	100 dB (1 W, 1 m)
Frequency Response	105 Hz - 20 kHz
Crossover Frequency	1.7 kHz
Directivity Angle	Horizontal: 100° Vertical: Depending on directivity angle mode
Speaker Component	Low frequency: 13 cm (5.5") cone-type × 8 High frequency: Wave front control horn with compression driver × 4
Input Terminal	M4 screw terminal, distance between barriers: 9 mm (0.35")
Water Protection	IPX4 (Install with every speaker module tilted downward from the horizontal.)
Installation Environment	Indoor installation, under-eave installation (*1)
Finish	Enclosure: Polypropylene, white Punched net: Surface-treated steel plate, white, rust proof coating
Dimensions	497 (W) × 664 (H) × 274 (D) mm (19.57" × 26.14" × 10.79")
Weight	30 kg (66.14 lb)
Accessory	Terminal cover ---1, Terminal cover mounting screw ---4, Rubber packing ---1
Option	Matching transformer: MT-200 (*2) Matching transformer adapter: HY-MT7 Speaker mounting bracket: HY-TM7W-WP, HY-MS7W-WP, HY-60DW-WP, HY-CN7W-WP

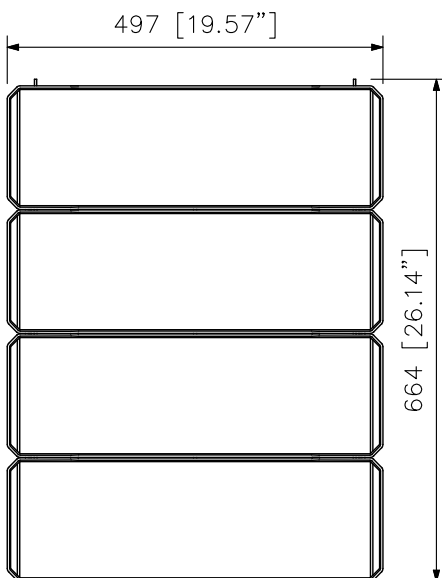
(\*1) Avoid installing the speaker in locations close to the seashore or in indoor swimming facilities that are not well ventilated. In such locations, the bracket may be vulnerable to corrosion, eventually allowing the speaker to fall resulting in personal injury.

(\*2) When mounting the MT-200 Matching Transformer to the speaker, an optional HY-MT7 Matching Transformer Adapter is required.

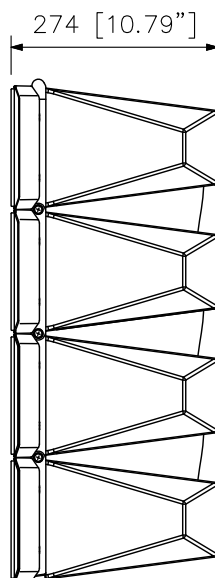
APPEARANCE (Factory-preset: 0° mode)



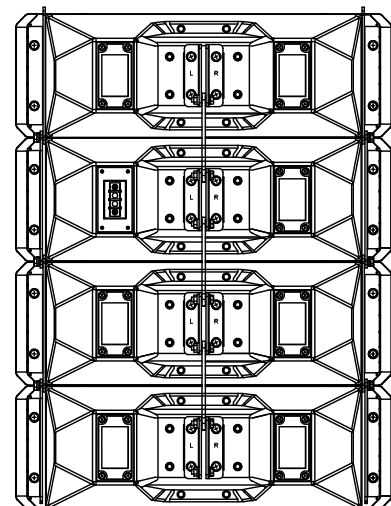
Top View



Front View



Side View

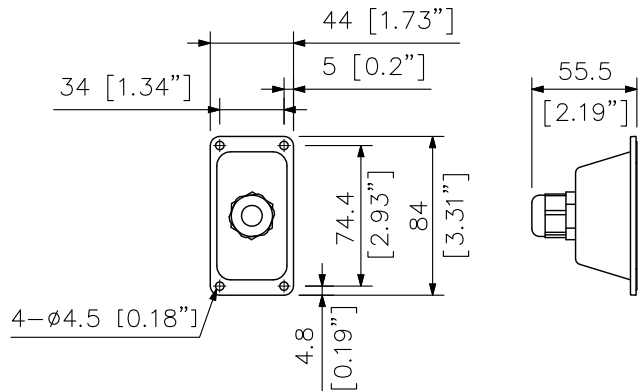
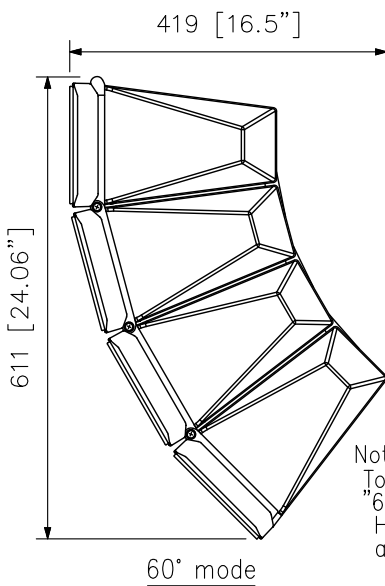
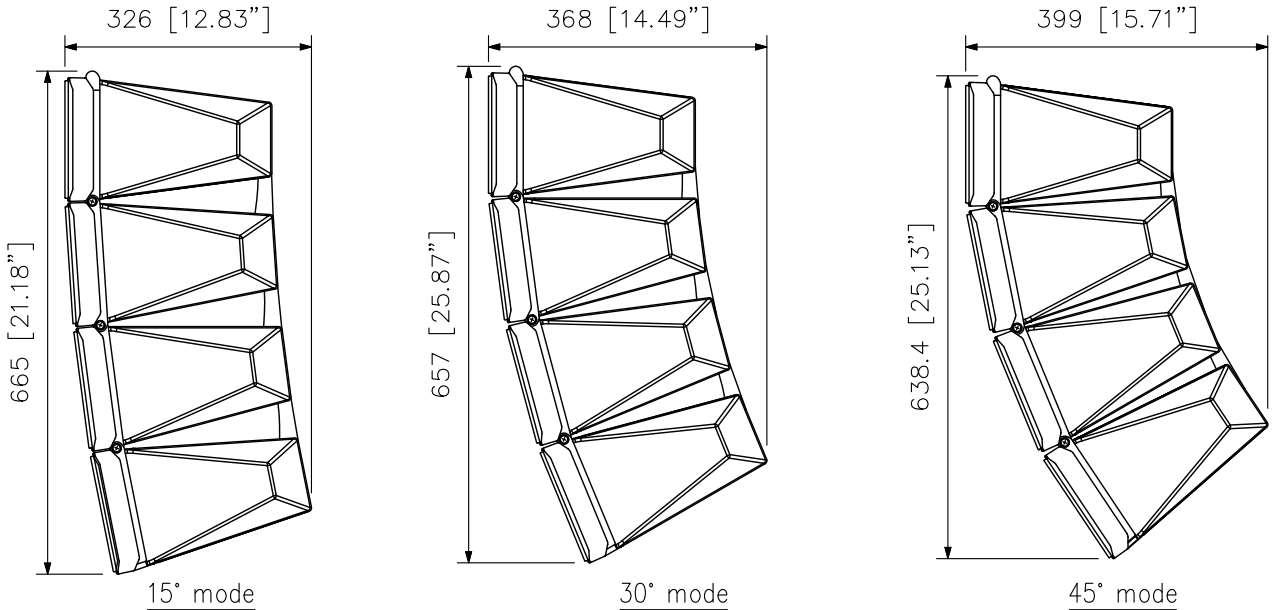


Rear View

UNIT:mm SCALE:1/10

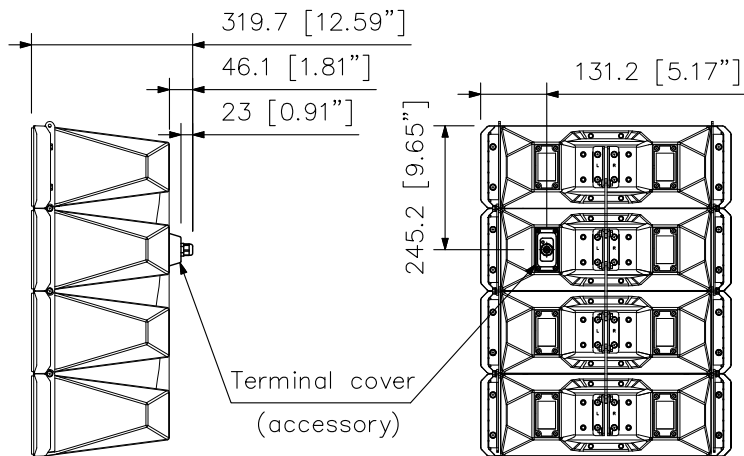
## ■ APPEARANCE

Example for directivity angle modes



Note:  
To set the speaker angle mode to "60° mode," 3 pieces of the optional HY-60DW-WP Speaker Angle Brackets are required.

Terminal cover installation view  
(scale: 1/15)



### Notes:

1. All speaker modules must point downward from the horizontal. Failure to do so could adversely affect their intended splash-proof and weather-resistant capabilities, leading to malfunction.
2. Be sure to mount this speaker under eaves wherever possible to prevent direct exposure to rain and wind. Failure to follow this instruction could cause the speaker to exceed its capabilities as a splash-proof speaker, potentially leading to malfunction.

UNIT:mm SCALE:1/10