

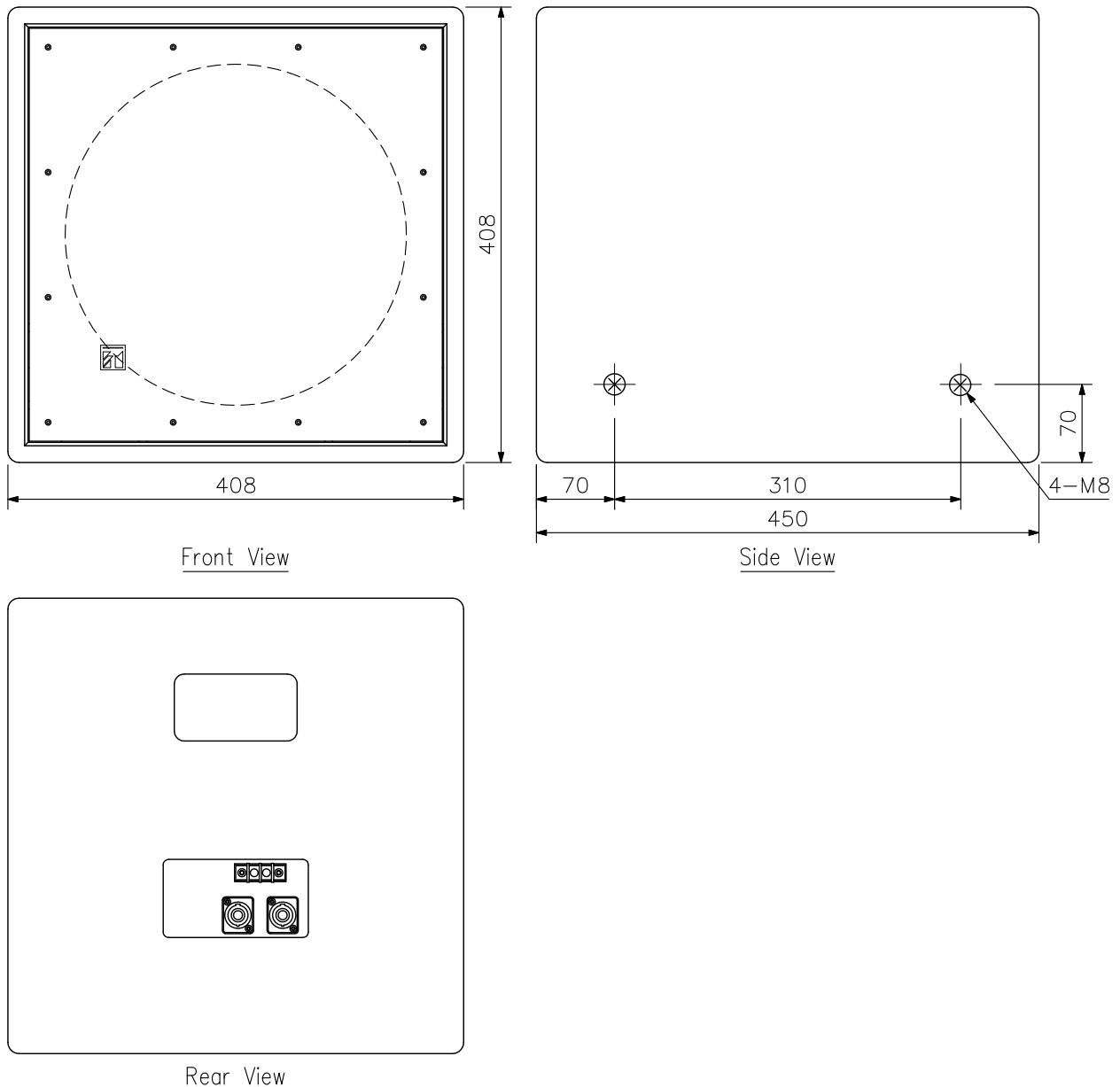
DESCRIPTION

The FB-120B is a compact, indoor-use subwoofer system employing a high-power 30 cm (12") woofer. It is designed for use in conjunction with TOA's HX-5 series or other full range speakers, and is particularly ideal for reproducing dynamic low-frequency sound for both permanent and temporary installations.

SPECIFICATIONS

Power Handling Capacity	Continuous pink noise: 200 W Continuous program: 600 W
Impedance	8 Ω
Sensitivity	90 dB (1 W, 1 m) at installation in free sound field 96 dB (1 W, 1 m) at installation in 1/2 free sound field
Frequency Response	40 Hz – 1.2 kHz (–10 dB)
Speaker Component	30 cm cone-type
Input Terminal	Speakon NL4MPXX × 2 and M4 screw terminal, distance between barriers: 11 mm
Finish	Enclosure: Plywood Punched net: Surface-treated steel plate, black, paint
Dimensions	408 (W) × 408 (H) × 450 (D) mm
Weight	15 kg
Option	Speaker rigging frame: HY-PF1B

APPEARANCE



UNIT:mm SCALE:1/6