

DESCRIPTION

TOA's WM-2100 is a Portable Transmitter designed to use 470 MHz band radio signals. An optional microphone (not supplied with the unit) is required.

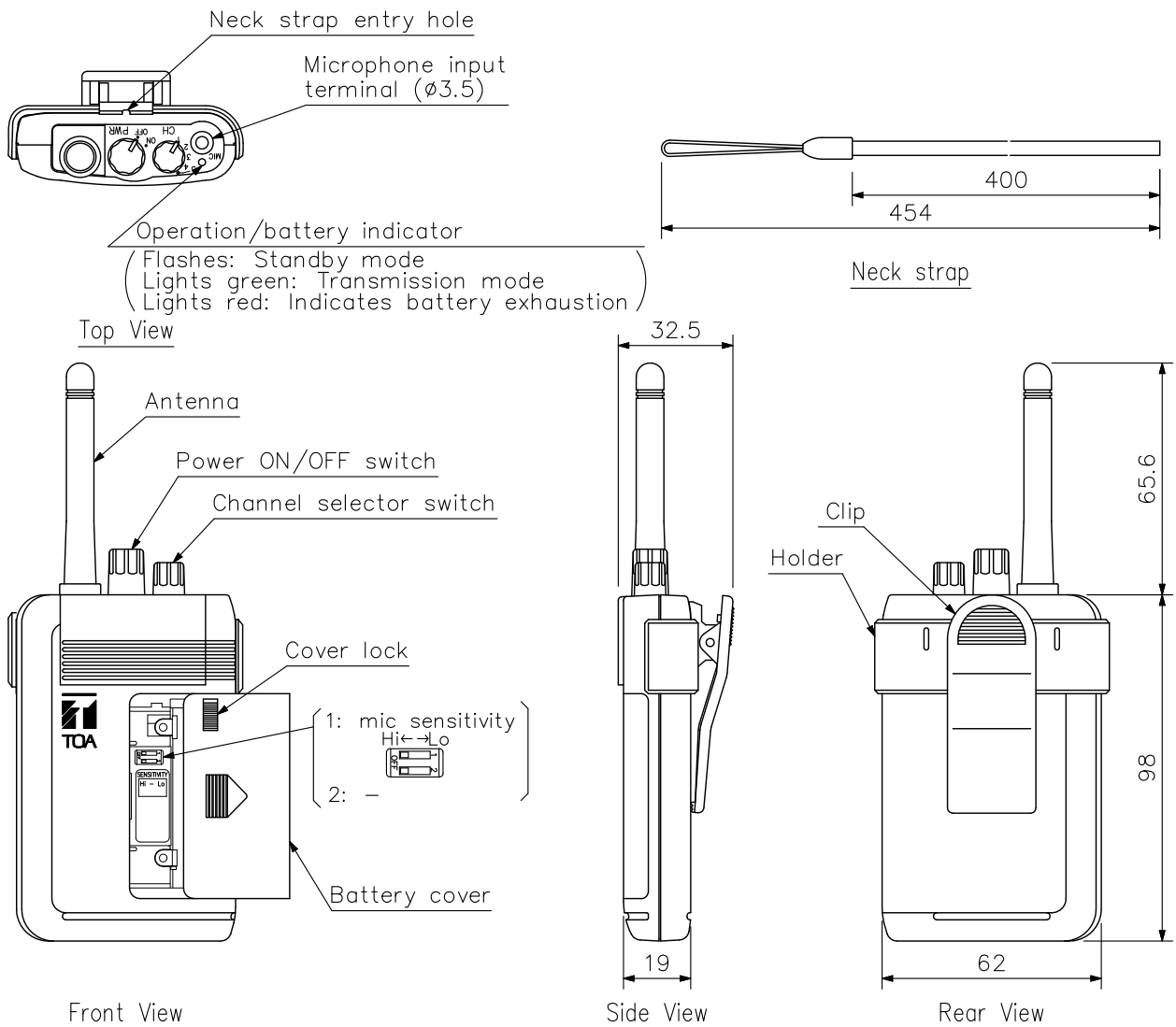
SPECIFICATIONS

\* 0 dB = 0.775 V

|                          |   |
|--------------------------|---|
| Power Source             | 1.5 V DC (Battery)  |
| Modulation               | Frequency modulation  |
| Transmitting Frequencies | 470 MHz band (5 ch) (470.075, 470.150, 470.375, 470.625, 470.725 MHz) |
| RF Carrier Power         | 2 mW  |
| Oscillator               | PLL synthesizer   |
| Frequency Response       | 200 Hz - 5 kHz (Portable transmitter → Potable receiver)              |
| Pre-emphasis             | 50 μs   |
| Input Level              | -50 dB* (sensitivity Hi)/-44 dB* (sensitivity Lo)                     |
| Battery Life             | 18 hours (alkaline)   |
| Battery                  | LR6 (1.5 V) × 1   |
| Operation Temperature    | -10 °C to +40 °C  |
| Finish                   | Resin, dark gray  |
| Dimensions               | 62 (W) × 163.6 (H) × 32.5 (D) mm                                      |
| Weight                   | 115 g (battery included)  |
| Accessory                | Neck strap.....1  |

\* Three optional microphone are made available for selection  
 YP-M101: tie-clip microphone  
 YP-M201: close-talking microphone  
 YP-M301: headset microphone

APPEARANCE



UNIT:mm SCALE:1/2