

DESCRIPTION

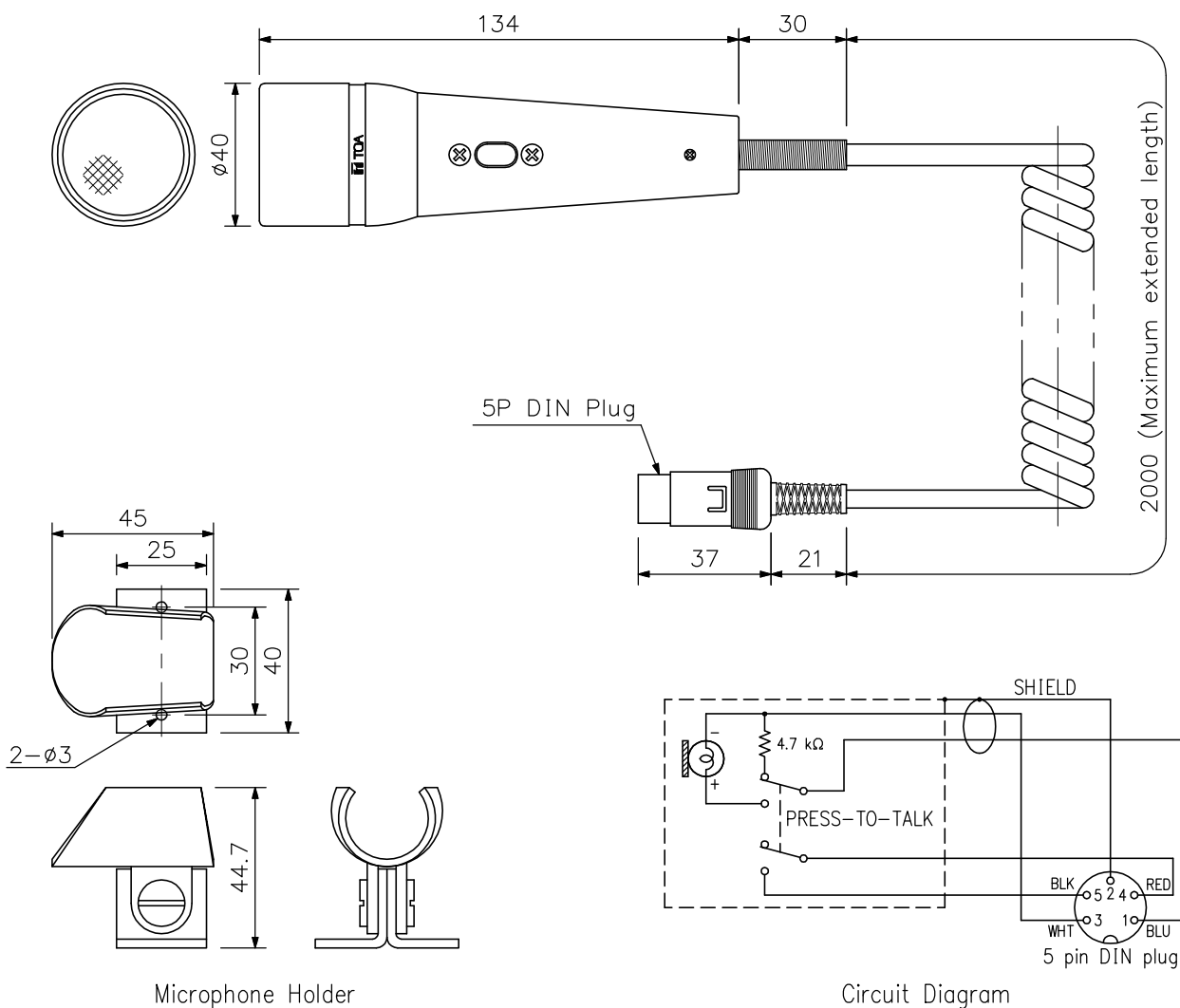
Paging microphone with press-to-talk switch and make output (for muting). Heavy-duty metallic body, and durable microphone cable and switch all combine to assure excellent durability against rough handling. High intelligibility thanks to ambient noise-, handling noise- and pop-free design. Two-meter coiled cable with 5-pin DIN plug for use with the TOA amplifiers.

SPECIFICATIONS

Type	Moving coil microphone
Directivity	Omnidirectional
Rated Impedance	500 Ω, balanced
Rated Sensitivity	-50 dB (1 kHz, 0 dB = 1 V/ Pa)
Frequency Response	80 - 16,000 Hz
Cable	Coiled cable ø6 mm × 2 m (at a maximum extended length)
Talk Switch	Press-to-talk switch
Remote Control Capacity	Make output of 30 V DC, 0.1 A max.
Finish	Body: Die-cast zinc, metallic gray, paint Head: Aluminum, silver, anodic oxide coating
Dimensions	ø40 × 134 mm (microphone body)
Weight	350 g (without connection cable)
Accessory	Microphone holder1, Tapping screw2

* 0.1 Pa = 1 μbar

APPEARANCE



UNIT:mm SCALE:1/2