

**DESCRIPTION**

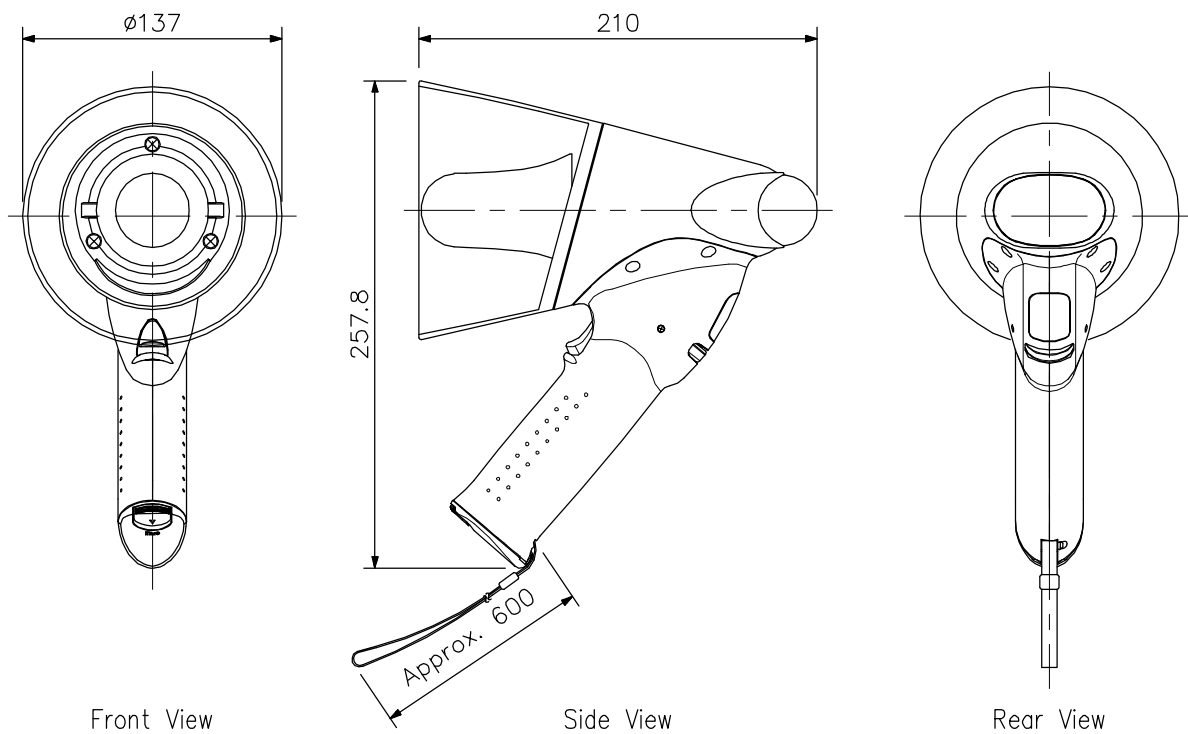
The ER-1203 is a compact splash-proof megaphone rated at 3 W output and features IPX5 water-jet-resistant designs.

**SPECIFICATIONS**

Power Source	R6P (AA) × 4 (6 V DC)
Rated Output	3 W
Maximum Output	4 W
Battery Life	Approx. 8 hours (JEITA)*
Audible Range	Approx. 125 m (JEITA)*
Frequency Response	500 Hz – 6 kHz (SPL -20 dB)
Magnetic Circuit	Neodymium magnet, inner magnet type
Diaphragm	Polyimide film (voice coil, bobbin)
Water Protection	IPX5
Operating Temperature	-10 °C to +40 °C
Finish	Horn: ASA resin, clear dark gray Other: ASA resin, dark gray Strap: Nylon, black
Dimensions	137 (W) × 257.8 (H) × 210 (D) mm
Weight	610 g (without batteries)
Option	Wall mounting bracket for megaphone: SP-1100

Note: Batteries are optional.

\* JEITA: Japan electronics and information technology industries association. (EIAJ TT-4501A)

**APPEARANCE**


<Note on the audible range and battery life>

1. The indications of the audible range and battery life are based on the JEITA Standard\*.
2. Audible Range presumes that the megaphone employs new batteries and is used on a quiet street.  
It varies depending on such conditions as battery consumption, ambient noise, wind direction and obstacles.
3. Battery Life assumes that megaphone is used for 30 minutes a day.

UNIT:mm SCALE:1/4