

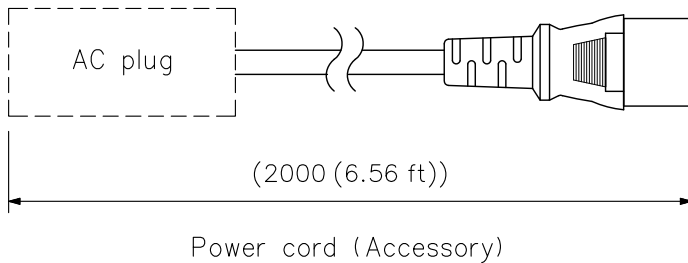
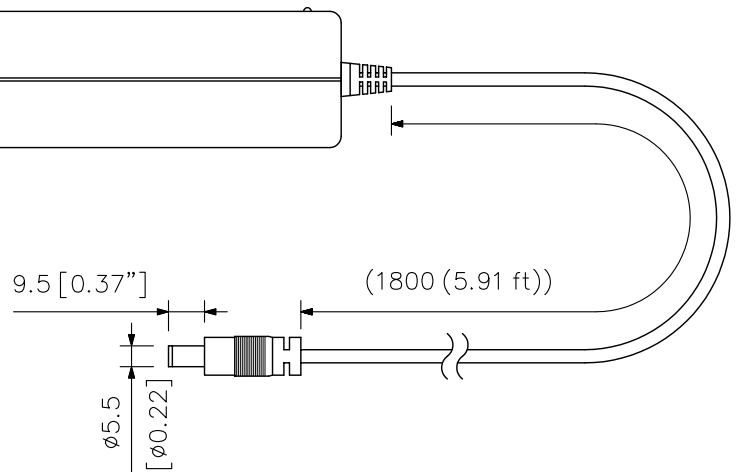
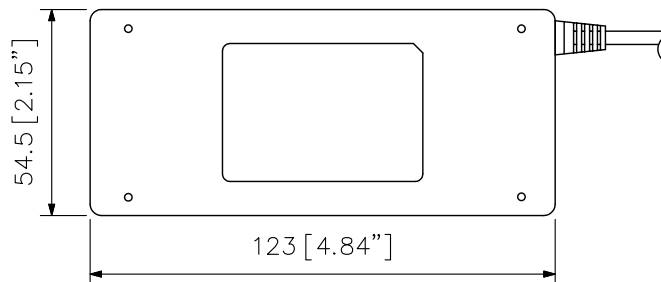
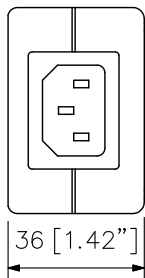
### DESCRIPTION

The AD-5000-6 is an AC adapter to operate the BC-5000-6 or BC-5000-12 Battery Charger on AC power.

### SPECIFICATIONS

Power Source	100 - 240 V AC, 47 - 63 Hz, 2 A
Output	12 V DC, 5 A
Ripple Voltage	120 mV p-p
Cord Length	1.8 m (5.91 ft)
Plug	Type of plug differs depending on the country where the unit is used
Operating Temperature	0 °C to +40 °C (32 °F to 104 °F)
Finish	Case: PC/ABS alloy, black
Weight	300 g (0.66 lb)
Accessory	Power cord (2 m (6.56 ft)) ...1

### APPEARANCE



Version	AS	CN	ER	UK	US
AC plug					

UNIT:mm SCALE:1/2

Note: Numerical values in parentheses are for reference only.