

DESCRIPTION

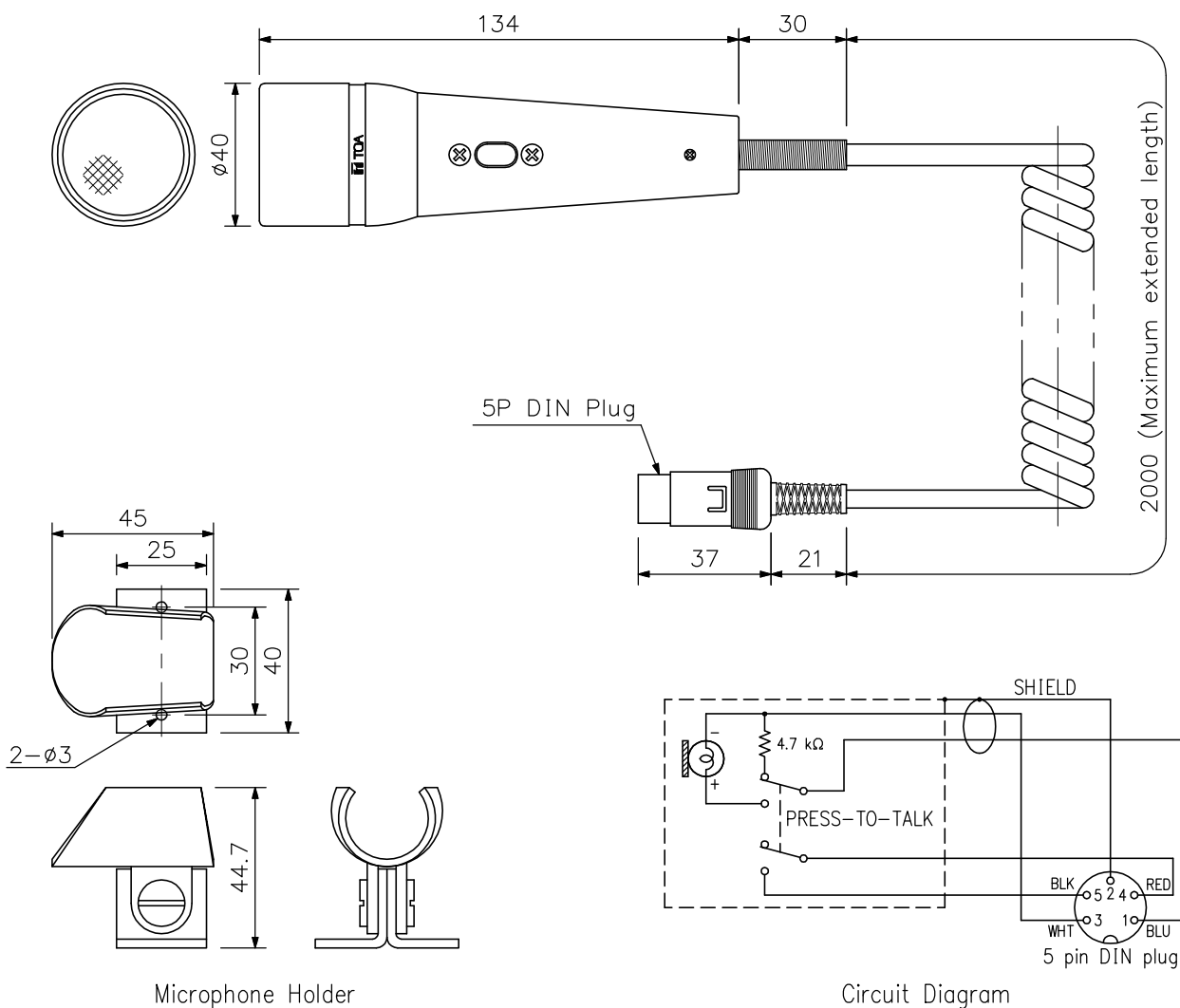
Paging microphone with press-to-talk switch and make output (for muting). Heavy-duty metallic body, and durable microphone cable and switch all combine to assure excellent durability against rough handling. High intelligibility thanks to ambient noise-, handling noise- and pop-free design. Two-meter coiled cable with 5-pin DIN plug for use with the TOA amplifiers.

SPECIFICATIONS

|                         |   |
|-------------------------|---|
| Type                    | Moving coil microphone  |
| Directivity             | Omnidirectional   |
| Rated Impedance         | 500 Ω, balanced   |
| Rated Sensitivity       | -50 dB (1 kHz, 0 dB = 1 V/ Pa)  |
| Frequency Response      | 80 - 16,000 Hz  |
| Cable                   | Coiled cable ø6 mm × 2 m (at a maximum extended length)                                   |
| Talk Switch             | Press-to-talk switch  |
| Remote Control Capacity | Make output of 30 V DC, 0.1 A max.  |
| Finish                  | Body: Die-cast zinc, metallic gray, paint<br>Head: Aluminum, silver, anodic oxide coating |
| Dimensions              | ø40 × 134 mm (microphone body)  |
| Weight                  | 350 g (without connection cable)  |
| Accessory               | Microphone holder .....1, Tapping screw .....2  |

\* 0.1 Pa = 1 μbar

APPEARANCE



UNIT:mm SCALE:1/2