

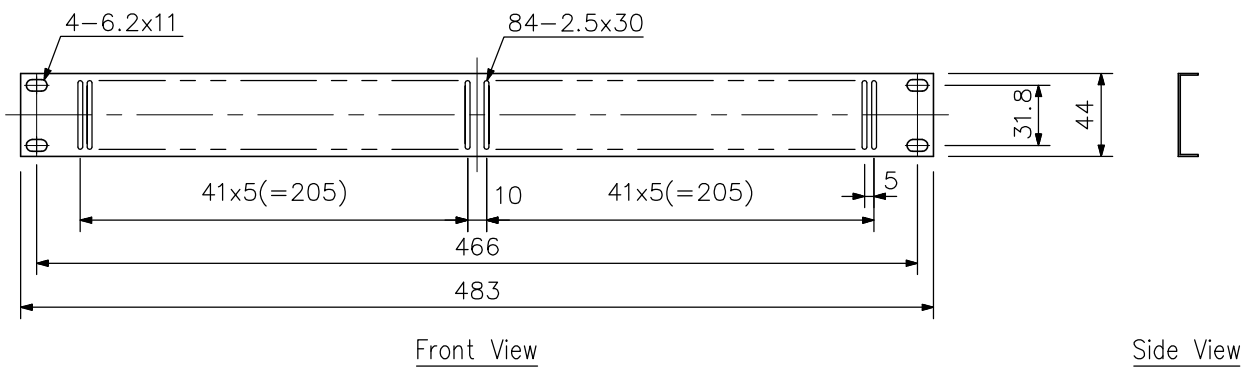
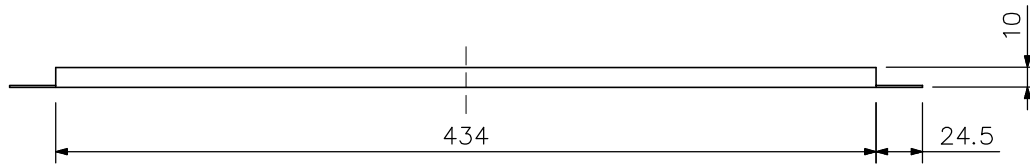
DESCRIPTION

The PF-013B is a perforated panel of one unit size for use in an equipment rack. It can be mounted in any EIA Standard rack.

SPECIFICATIONS

Pantched Area Ratio	32%
Finish	Panel: Pre-coated steel plate, black, 30% gloss
Dimensions	483 (W) × 44 (H) × 10 (D) mm
Weight	160 g
Accessory	Rack mounting screw4, Fiber washer4

APPEARANCE



UNIT:mm SCALE:1/4