

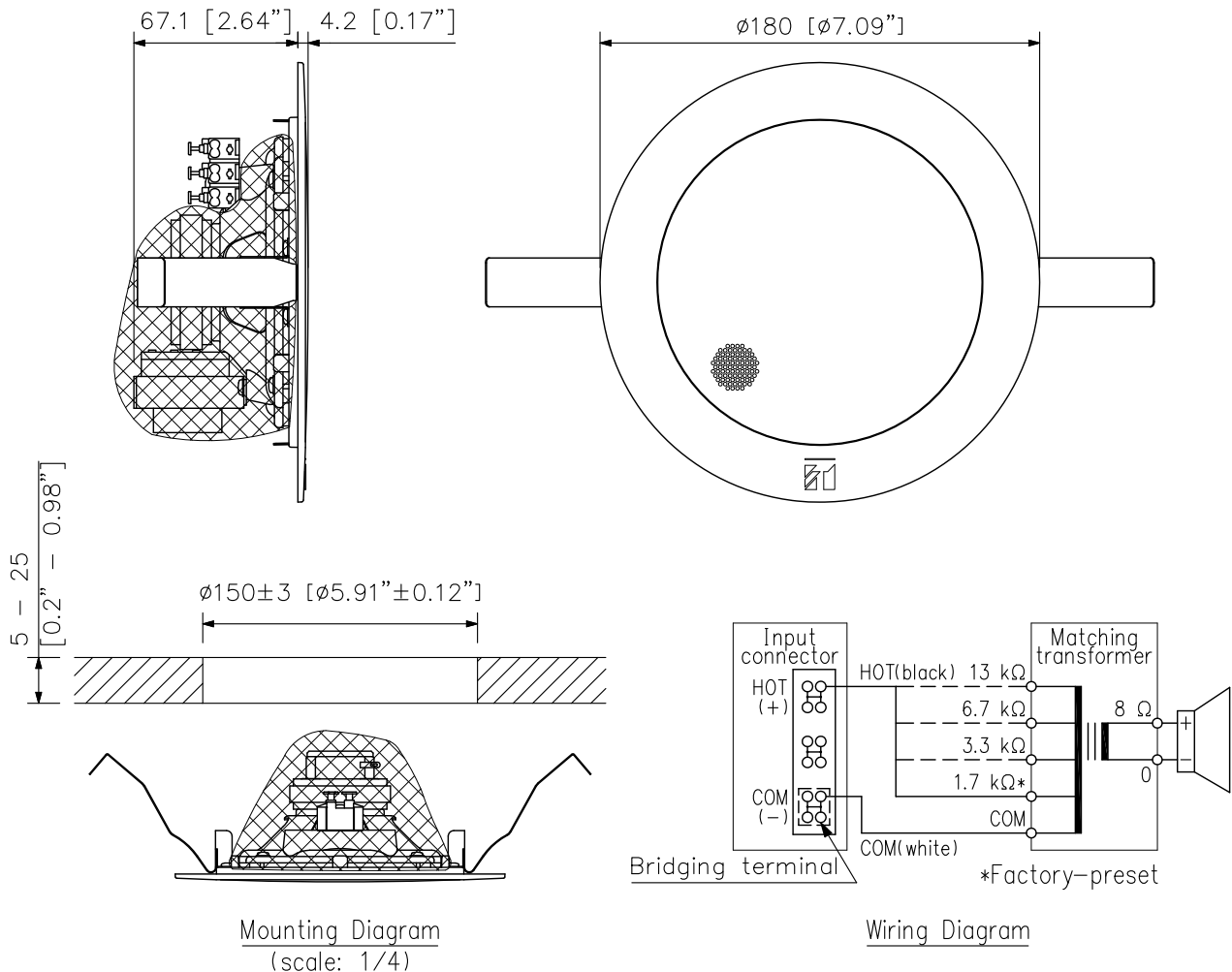
DESCRIPTION

Integrated with a speaker unit and panel, the PC-1869 Ceiling Mount Speaker is of all metallic construction and ideal for use in a voice alarm system. It feature spring clamp mechanism for easy speaker mounting to the ceiling. The input impedance can be easily changed by changing the tap position of the transformer. The push-in type input terminal block makes cable connections easy and allows bridge wiring.

SPECIFICATIONS

Rated Input	6 W (100 V line), 3 W (70 V line)
Rated Impedance	100 V line: 1.7 kΩ (6 W), 3.3 kΩ (3 W), 6.7 kΩ (1.5 W), 13 kΩ (0.8 W) 70 V line: 1.7 kΩ (3 W), 3.3 kΩ (1.5 W), 6.7 kΩ (0.8 W), 13 kΩ (0.4 W)
Sensitivity	90 dB (1 W, 1 m) (500 Hz - 5 kHz, pink noise)
Frequency Response	55 Hz - 18 kHz (peak -20 dB)
Speaker Component	12 cm (5") cone-type
Dimensions for Fixing Hole	Mounting hole: $\phi 150 \pm 3$ mm ( $\phi 5.91" \pm 0.12"$ ) Ceiling thickness: 5 - 25 mm (0.2" - 0.98")
Speaker Mounting Method	Spring clamp
Applicable Cable	600 V vinyl-insulated cable (IV wire or HIV wire) Solid copper wire: $\phi 0.8$ - $\phi 1.6$ mm (equivalent to AWG 20 - 14) 7-core twisted copper wire: 0.75 - 1.25 mm <sup>2</sup> (equivalent to AWG 18 - 16)
Connection	Push-in connector (bridging terminal-2 branch type)
Finish	Baffle: Steel plate, white (RAL 9016 equivalent), paint Grille: Surface-treated steel plate net, white (RAL 9016 equivalent), paint
Dimensions	$\phi 180 \times 72$ (D) mm ( $\phi 7.09" \times 2.83"$ )
Weight	620 g (1.37 lb)
Accessory	Paper pattern *1

APPEARANCE



Mounting Diagram  
(scale: 1/4)

Wiring Diagram

UNIT: mm SCALE: 1/3